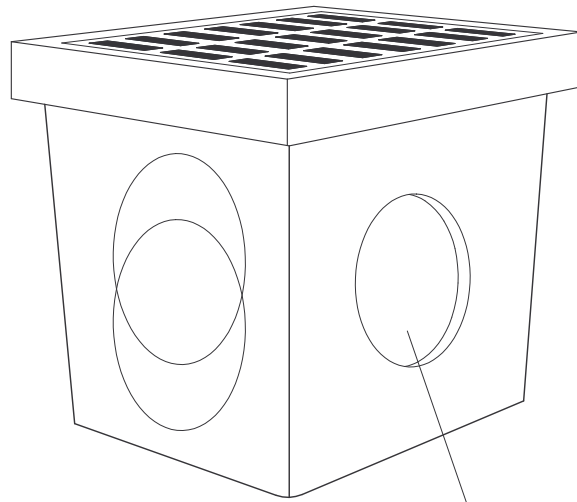
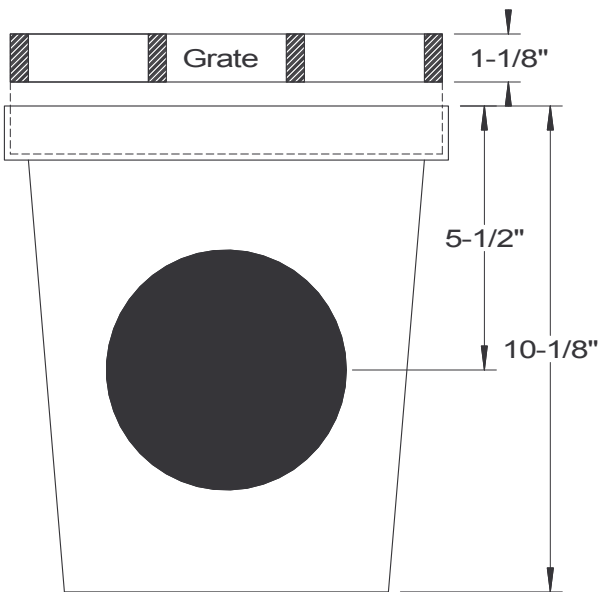


Top View

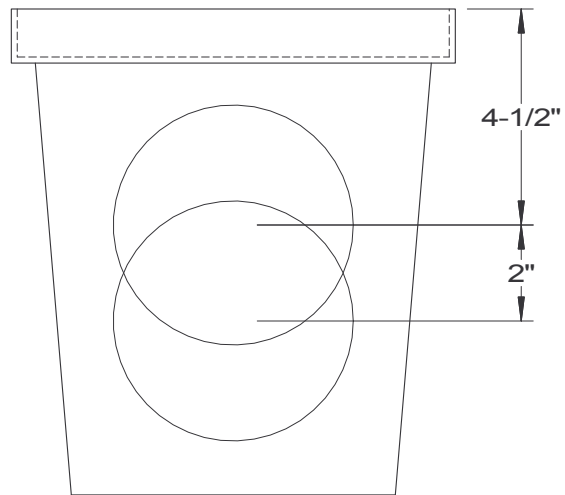
1/2" x 2-1/2" openings



Basins come with (2) Polylok seals for 2", 3" or 4" pipes



View of 2 opposite Sides with holes



View of 2 opposite Sides with 5" knockouts

SPECIFICATIONS	
Material: High Density Polyethylene Color: Black Grate Openings: 1/2" wide ADA compliant Pipe Connections: 2", 3" or 4" Load Rating: lawn area or light vehicles	POLYETHYLENE CATCH BASIN MODEL CB-9x9 Poly
	Woodard's Concrete Products, Inc. 629 Lybolt Road, Bullville, NY 10915 (845) 361-3471 / Fax 361-1050 7/26/10