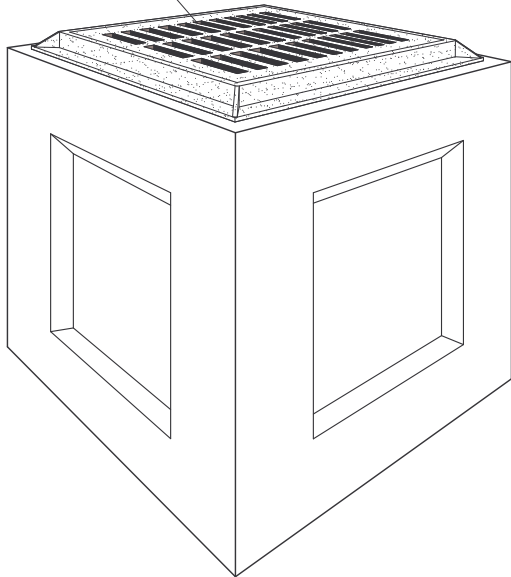


Cast Iron Grates or covers available

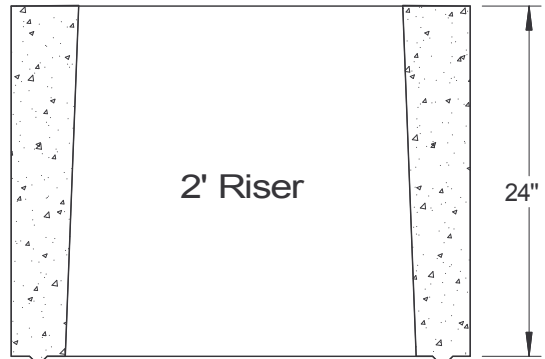


Optional Cover
5-1/2" thick



1' Riser

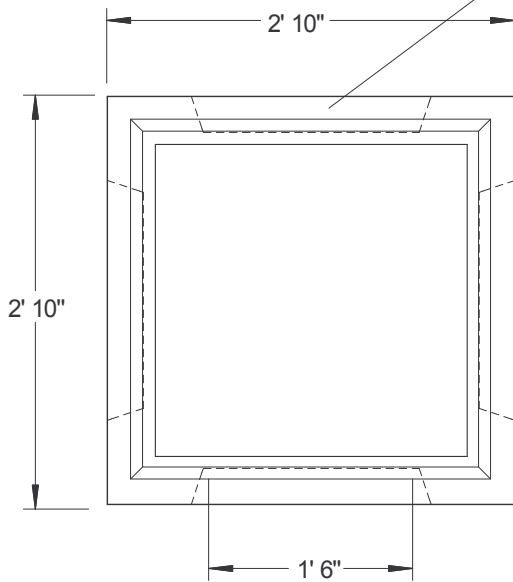
12"



2' Riser

24"

Knockout Panels



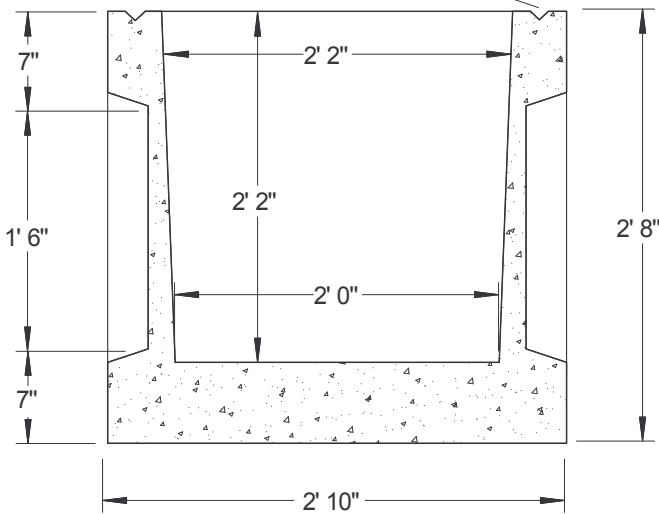
2' 10"

2' 10"

Top View

1' 6"

Tongue & Groove joint to match risers



7"

1' 6"

7"

2' 2"

2' 2"

2' 0"

2' 8"

2' 10"

Section View

SPECIFICATIONS

Concrete Min. Strength: 4,000 psi at 28 days
 Reinforcement: #4 Rebar / ASTM A615
 Air Entrainment: 5%
 Construction Joint: Butyl Rubber Sealant
 Weights: Base = 1,300 lbs, Riser = 500 lbs/vf
 Load Rating: H20 / ASTM C857

PRECAST CATCH BASIN MODEL CB-2X2

Woodard's Concrete Products, Inc.

629 Lybolt Road, Bullville, NY 10915
 (845) 361-3471 / Fax 361-1050

Page 9I 9/9/09