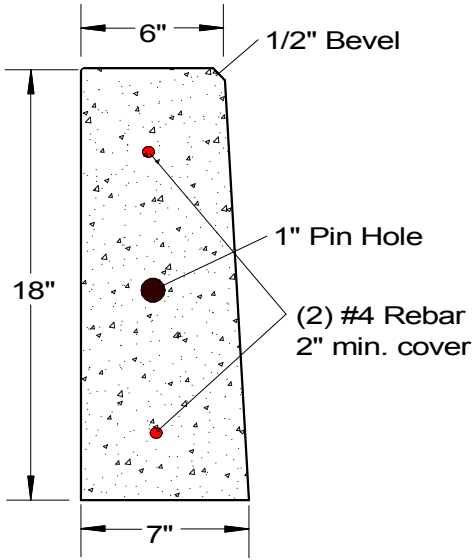


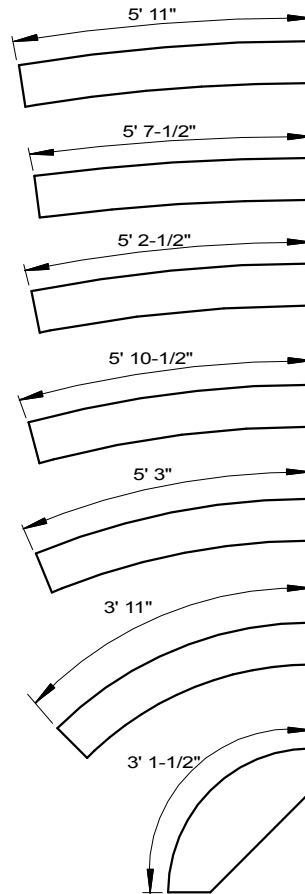
Section Through Straight Curb



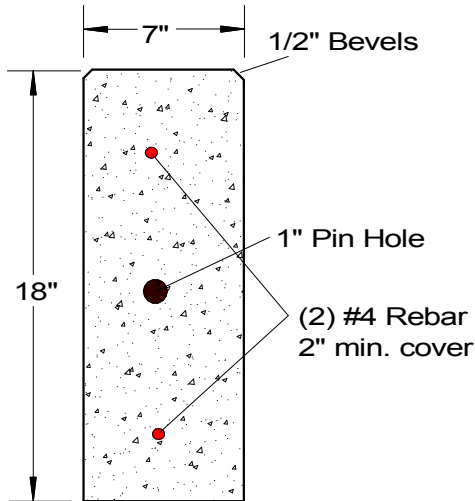
Straight - 4', 5', & 6' long



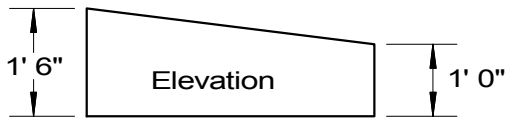
Plan Views



Section Through Radius & Taper Curb



4' Tapered Shoe



Outside Radius in feet	Sections for 90 degrees	Degrees per section
30	8	11.25
25	7	12.9
20	6	15
15	4	22.5
10	3	30
5	2	45
2	1	90

Note: The width of the straight sections are 1" narrower than the radius section. This may affect the look of the installation.

SPECIFICATIONS		PRECAST CURBING	
Concrete Min. Strength: 4,000 psi at 28 days Reinforcement: #4 Rebar, Fiber Air Entrainment: 6% Weight = 110 lbs/lf		<b>Woodard's Concrete Products, Inc.</b> 629 Lybolt Road, Bullville, NY 10915 (845) 361-3471 / Fax 361-1050	
		Page 1F 5/22/14	