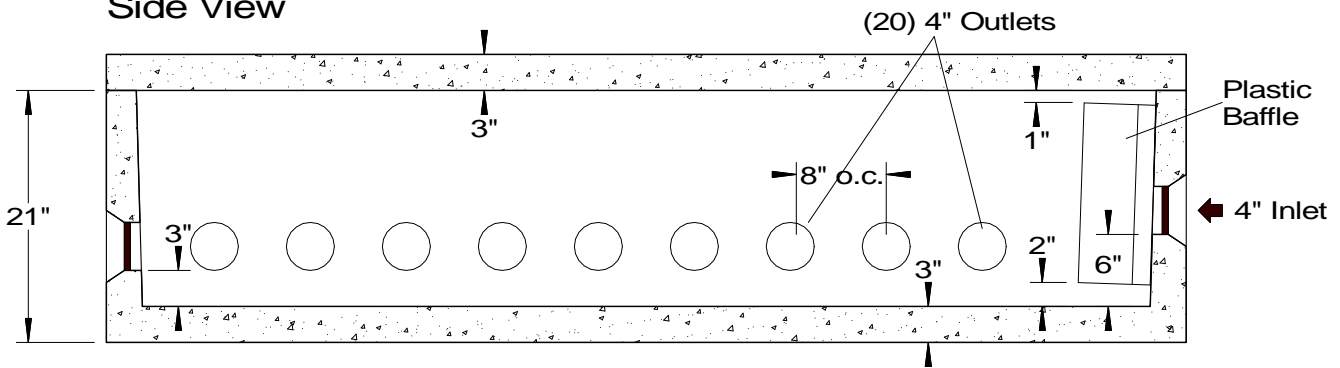
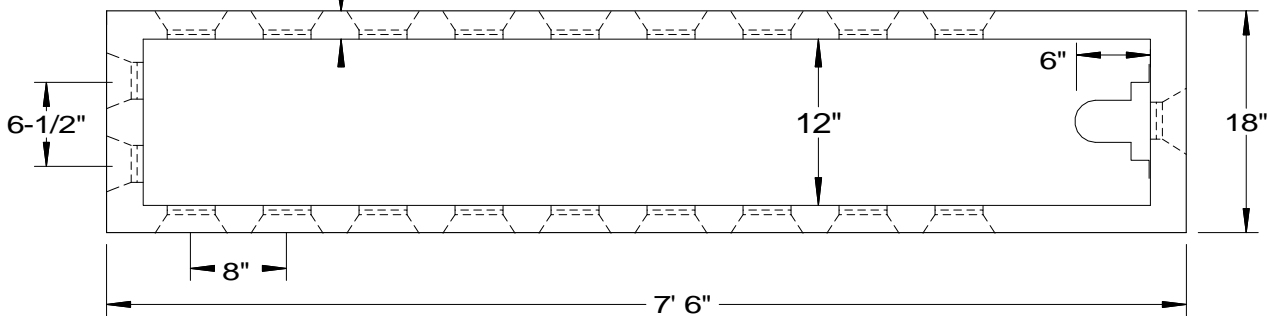


Side View



Top View without Cover
3" min.



SPECIFICATIONS	
<p>Concrete Min. Strength: 4,000 psi at 28 days Reinforcement: #4 Rebar, 10ga. wire mesh Air Entrainment: 5% Pipe Connection: Polylok Seal (patented) Weights: Box = 1,400 lbs, Lid = 400 lbs Load Rating: 300 psf</p>	<p style="text-align: center;">PRECAST DISTRIBUTION BOXES Model DB-20 / 20 Outlets</p> <p style="text-align: center;">Woodard's Concrete Products, Inc. 629 Lybolt Road, Bullville, NY 10915 (845) 361-3471 / Fax 361-1050</p> <p style="text-align: center;">Page 7B 1/13/05</p>