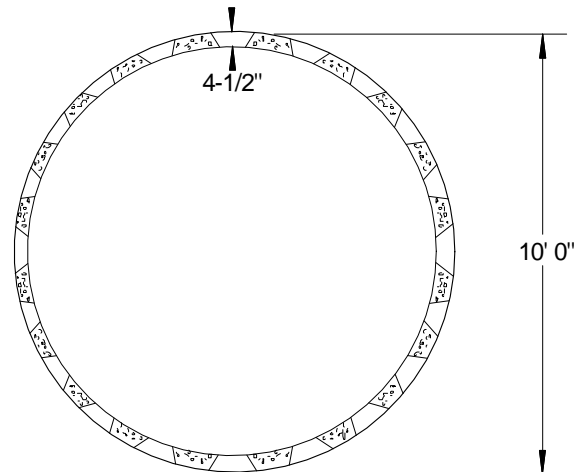


Detail of Holes



Top View

SPECIFICATIONS	
<p>Concrete Min. Strength: 4,000 psi at 28 days Reinforcement: 6x12-W3/W3 / ASTM A82 & A185 Air Entrainment: 5% Capacity = 1,400 gallons to inlet; 2,000 total Sidewall Area = 125 square feet Load Rating: H20 Weight = 4,400 lbs</p>	<p>PRECAST DRY WELLS MODEL DW-4X10 / 1400 GALLONS</p> <hr/> <p>Woodard's Concrete Products, Inc. 629 Lybolt Road, Bullville, NY 10915 (845) 361-3471 / Fax 361-1050</p>
<p>Page 7D 2/11/04</p>	