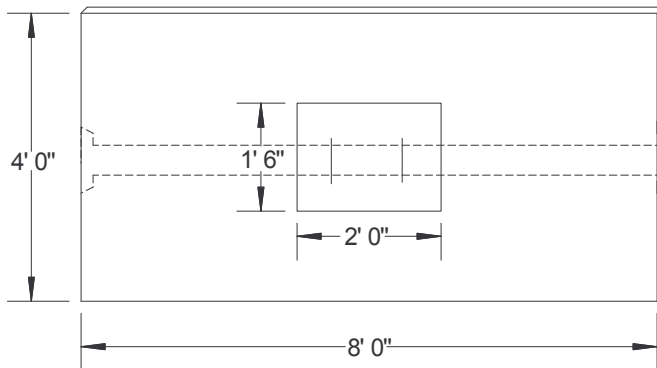
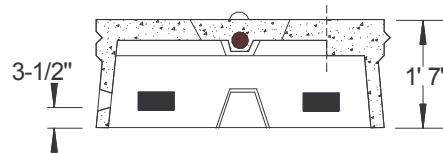
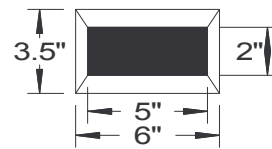


Use F-Extend Fitting for hooking up pipe to either end. SDR35 or Sch40

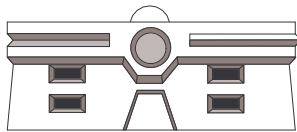
Top View



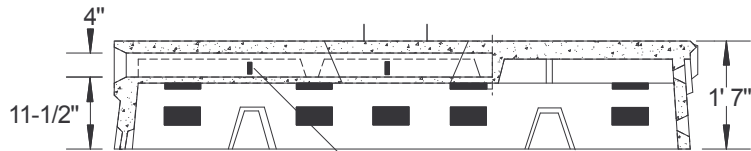
Drain Hole Detail



End Section



End View



Side View

Integral slotted drain pipe

SPECIFICATIONS

Concrete Min. Strength: 4,000 psi at 28 days
 Reinforcement: #4 Rebar / ASTM A615
 Air Entrainment: 5%
 Capacity = 230 gallons Weight = 2,500 lbs
 Sidewall Area = 24 square feet
 Load Rating: H20 / ASTM C857

**PRECAST LEACHING CHAMBER
 MODEL FDE-4X8 / FLOW DIFFUSOR**

Woodard's Concrete Products, Inc.
 629 Lybolt Road, Bullville, NY 10915
 (845) 361-3471 / Fax 361-1050