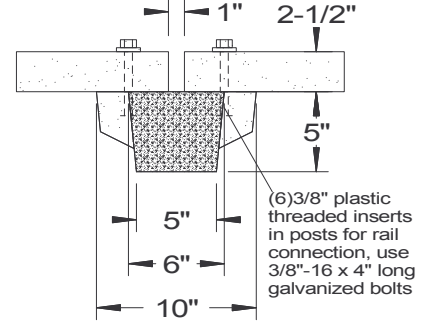
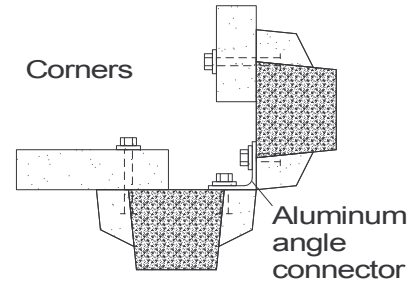


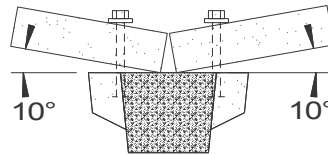
Top View



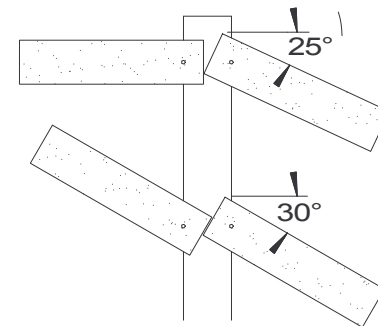
Corners



Maximum Angle for Curves



Maximum Angle for Slopes



SPECIFICATIONS	PRECAST 3-RAIL FENCE
Concrete Min. Strength: 4,000 psi at 28 days Reinforcement: #3 & 4 Rebar Air Entrainment: 5% Weight: Post = 170 lb, Rail = 110 lb	Woodard's Concrete Products, Inc. 629 Lybolt Road, Bullville, NY 10915 (845) 361-3471 / Fax 361-1050 3/19/10