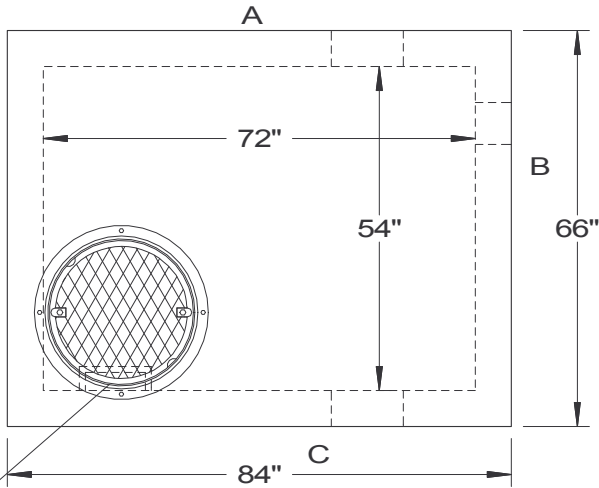
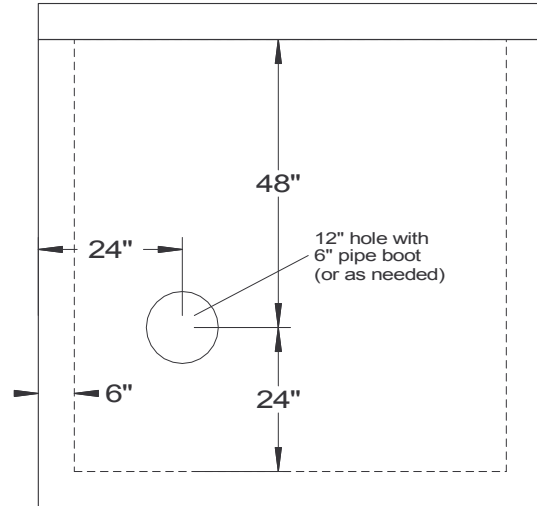


Top View

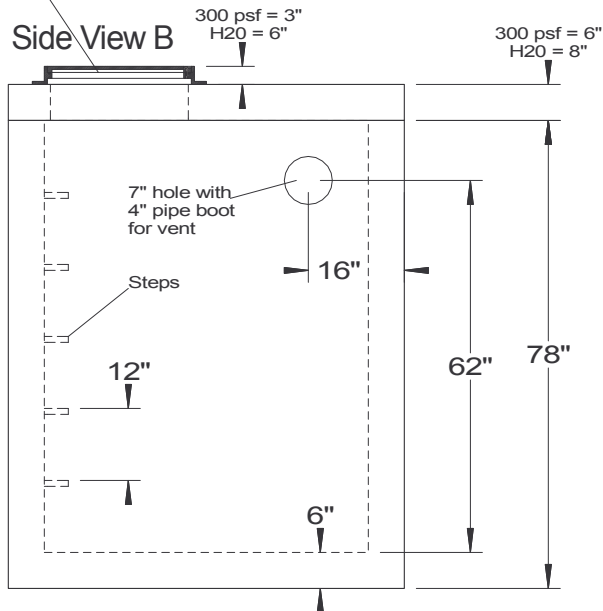


Side View A

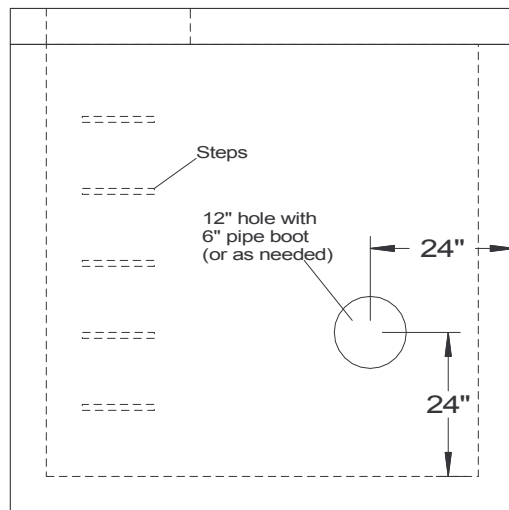


Cast Iron frame & 24" bolted, watertight lid

Side View B



Side View C



This is a non-stock item, call for delivery time.

SPECIFICATIONS	
<p>Concrete Min. Strength: 4,000 psi at 28 days Reinforcement: #4 Rebar / ASTM A615 Air Entrainment: 5% Construction Joint: Butyl Rubber Sealant Pipe Connection: NPC rubber boot Weight = 15,600 lb (300psf); 16,600 lb (H2O) Load Rating: 300 psf or HS20-44</p>	<p>COMMERCIAL HOUSE TRAP 4'-6" x 6' x 6' ID</p> <p>Woodard's Concrete Products, Inc. 629 Lybolt Road, Bullville, NY 10915 (845) 361-3471 / Fax 361-1050</p> <p>2/21/08</p>