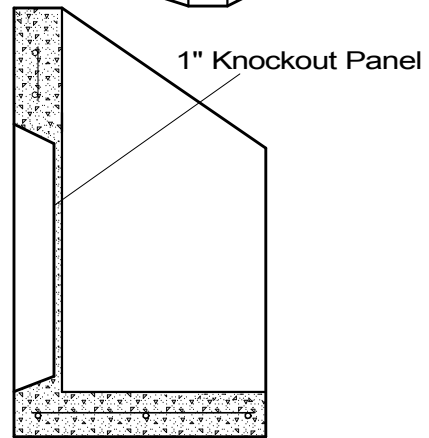
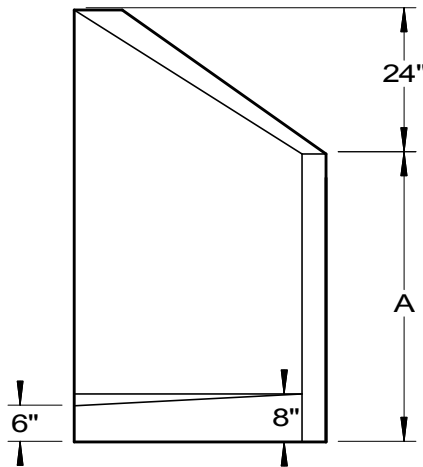


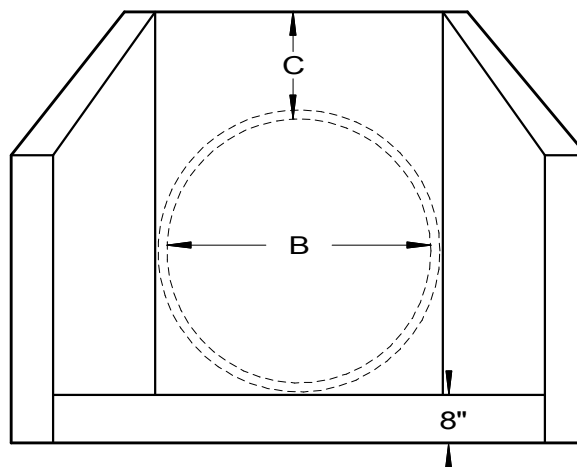
Top View



Section Through Center



Side View



Front View

Model	HW-4	HW-6
A	24"	48"
B	28"	44"
C	10"	18"

**SPECIFICATIONS**

Concrete Min. Strength: 4,000 psi at 28 days  
 Reinforcement: #4 Rebar / ASTM A615  
 Air Entrainment: 6%  
 Pipe Connection: Mortar or grout  
 Pipe Range: up to 36" ID  
 Weight = 4,400 lbs or 6,600 lbs  
 Load Rating: H20 / ASTM C857

**PRECAST HEADWALLS  
 HW-4 & HW-6**

**Woodard's Concrete Products, Inc.**  
 629 Lybolt Road, Bullville, NY 10915  
 (845) 361-3471 / Fax 361-1050