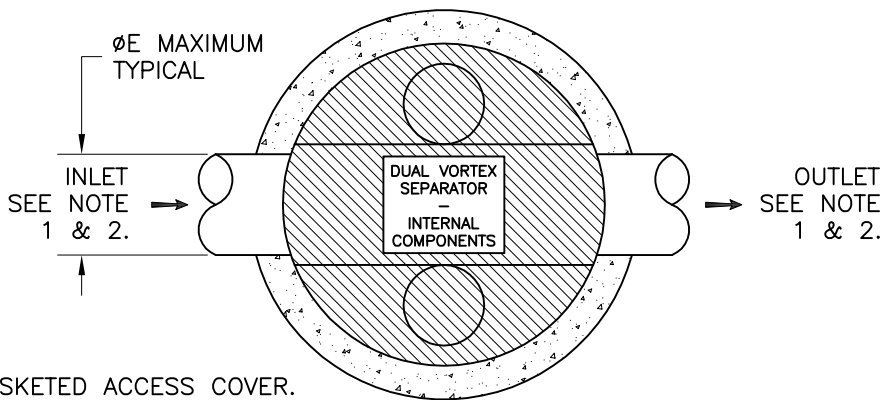


PLAN VIEW

BOLTED & GASKETED ACCESS COVER. SEE TABULATION FOR SIZES. SEE NOTE 3.

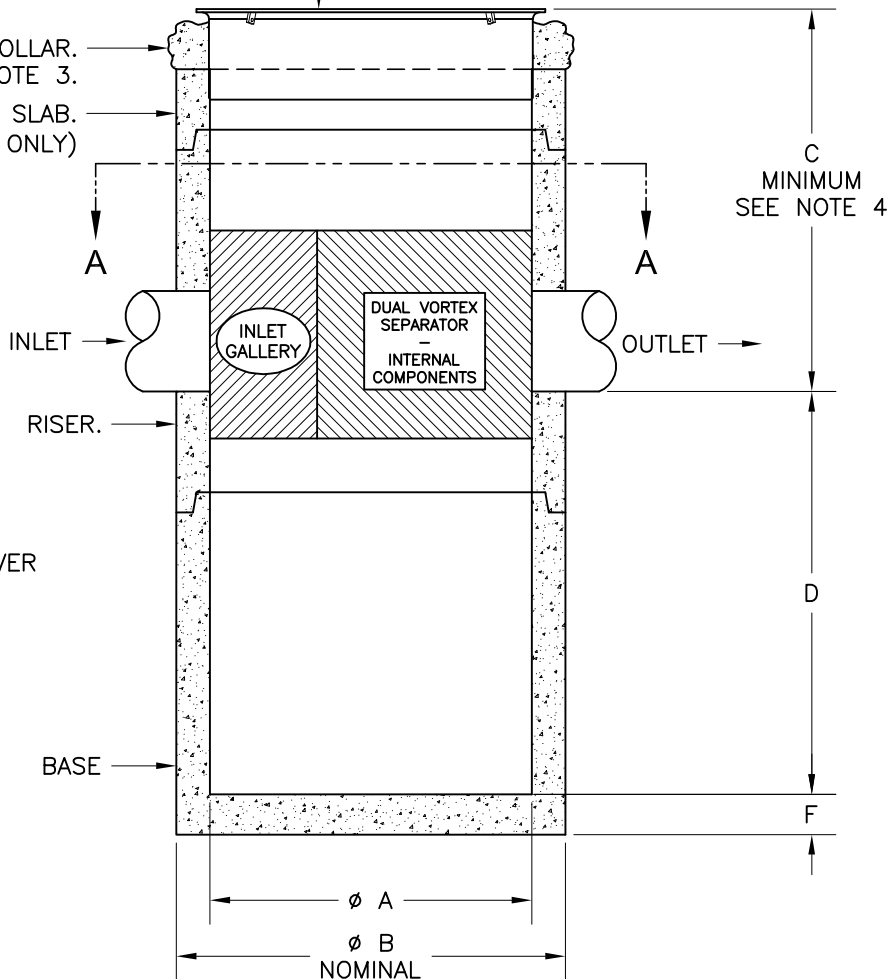


SECTION A-A

TABULATION							
MODEL	Ø A	Ø B	C SEE NOTE 4	D	E MAX. Ø PIPE	F	COVER SIZE
DVS-36C	36"	44"	30"	45"	12"	6"	Ø36"
DVS-48C	48"	58"	36"	60"	18"	6"	Ø48"
DVS-60C	60"	72"	42"	75"	24"	8"	Ø48"

* FOR LARGE DIAMETER SYSTEMS (DVS-72C & DVS-96C) SEE DRAWING DVS-C-0002.

BOLTED & GASKETED ACCESS COVER. SEE TABULATION FOR SIZES. SEE NOTE 3.



NOTES:

1. INLET AND OUTLET PIPES MAY JOIN SEPARATOR AT OBLIQUE ANGLES.
2. STANDARD OUTLET PIPE CONFIGURATION TO EXIT SEPARATOR AT 180° FROM INLET. CUSTOM INLET-OUTLET CONFIGURATIONS AVAILABLE UPON REQUEST. CONTACT KRISTAR ENTERPRISES FOR ENGINEERING DETAILS.
3. BOLTED & GASKETED MANHOLE ACCESS COVER ELEVATION MAY BE ADJUSTED TO GRADE. FIELD POUR CONCRETE COLLAR TO SECURE COVER TO SEPARATOR.
4. FOR DEPTHS LESS THAN THE MINIMUM SHOWN AS DIMENSION C IN THE TABULATION CONTACT KRISTAR ENTERPRISES FOR ENGINEERING DESIGN ASSISTANCE.
5. CONCRETE COMPONENTS SHALL BE MANUFACTURED IN ACCORDANCE WITH ASTM DESIGNATION C478.
6. REMOVABLE INTERNAL COMPONENTS MAY BE AVAILABLE TO FACILITATE MAINTENANCE. CONTACT KRISTAR ENTERPRISES FOR DETAILS.

TITLE

FloGard DUAL-VORTEX
HYDRODYNAMIC SEPARATOR
CIRCULAR STRUCTURES
DVS-36C, DVS-48C, DVS-60C



KriStar Enterprises, Inc.

360 Sutton Place, Santa Rosa, CA 95407
Ph: 800.579.8819, Fax: 707.524.8186, www.kristar.com

DRAWING NO. DVS-C-0001	REV D	ECO 0071 ISM 5/11/09	DATE JPR 11/28/06	SHEET 1 OF 1
---------------------------	----------	-------------------------	----------------------	--------------