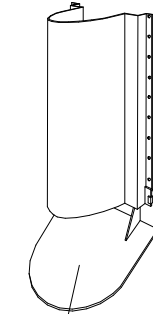
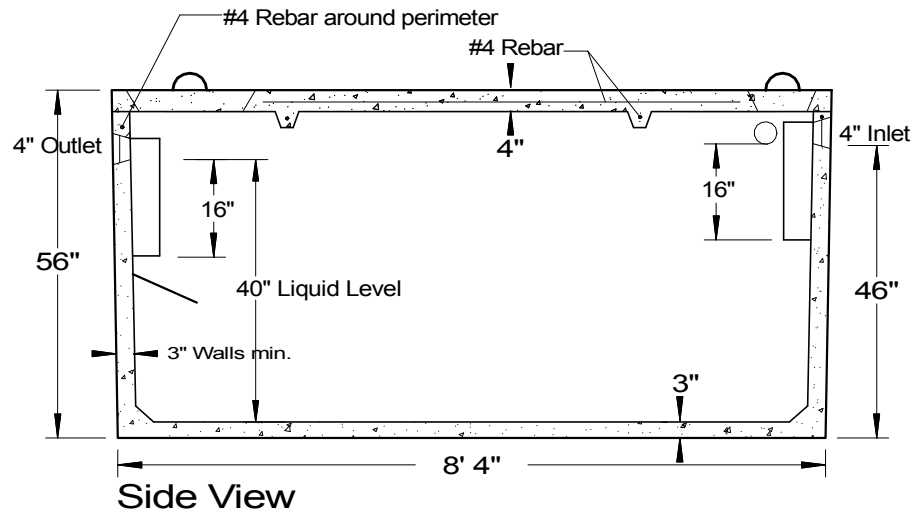
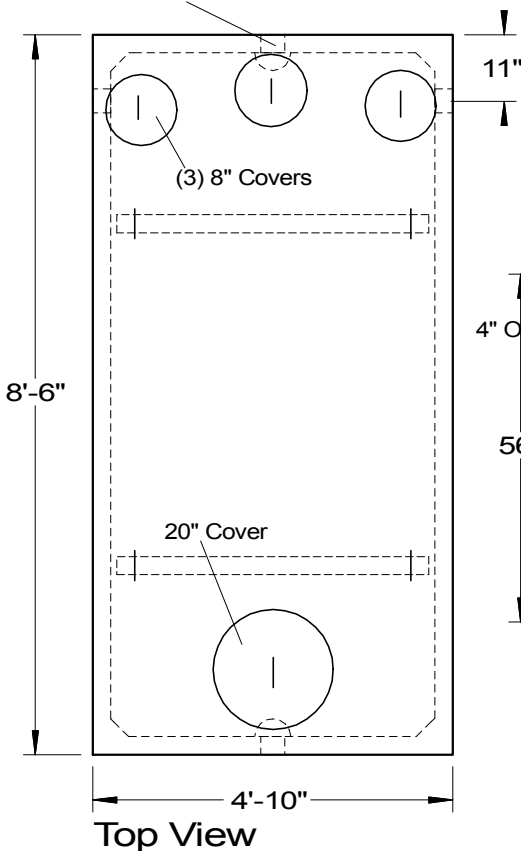


Baffle (deflector on outlet only)



Gas Deflector

4" Polyloc Inlets  
Baffle can be relocated to sides



Side View

SPECIFICATIONS	
<p>Concrete Min. Strength: 4,000 psi at 28 days            Reinforcement: #4 bar gr. 60, Forta Fiber 5 lb/cy            Air Entrainment: 6%            Construction Joint: Butyl Rubber Sealant            Pipe Connection: Polylok Seal (patented)            Weight = 6,900 lbs            Load Rating: 300 psf</p>	<p style="text-align: center;"><b>LOW PROFILE SEPTIC TANKS            MODEL LB-750 / 750 GALLONS</b></p> <p style="text-align: center;"><b>Woodard's Concrete Products, Inc.</b>            629 Lybolt Road, Bullville, NY 10915            (845) 361-3471 / Fax 361-1050</p>
<p>Page 9A 10/28/15</p>	