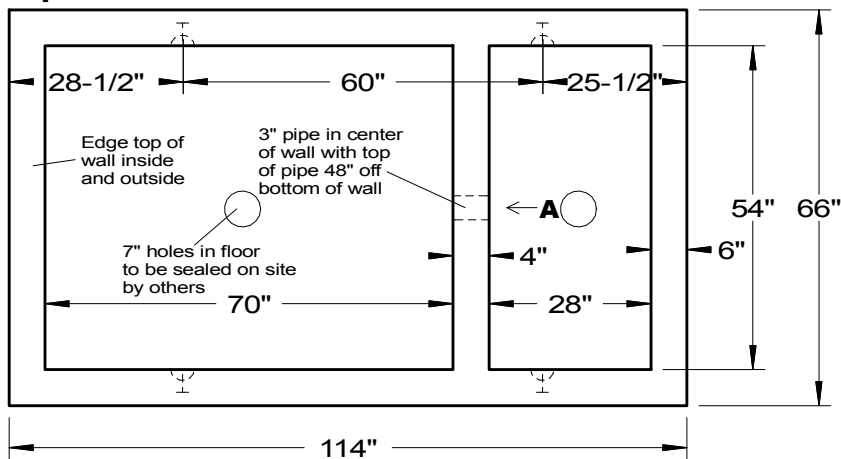
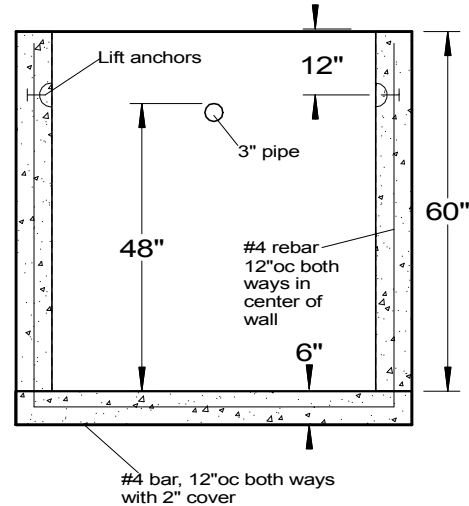


Top View of Walls



Concrete:
 Floor = 1 yard
 Walls = 2.9 yards
 weight = 15,000 lbs

View A



SPECIFICATIONS	
Concrete Min. Strength: 4,000 psi at 28 days Reinforcement: #4 rebar Air Entrainment: 6% Weight = 15,000 lbs	PRECAST MIKVAH Woodard's Concrete Products, Inc. 629 Lybolt Road, Bullville, NY 10915 (845) 361-3471 / Fax 361-1050 6/2/14