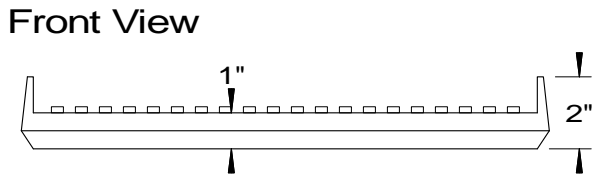
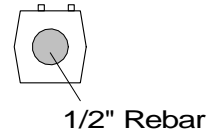
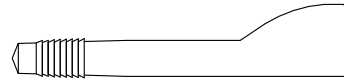


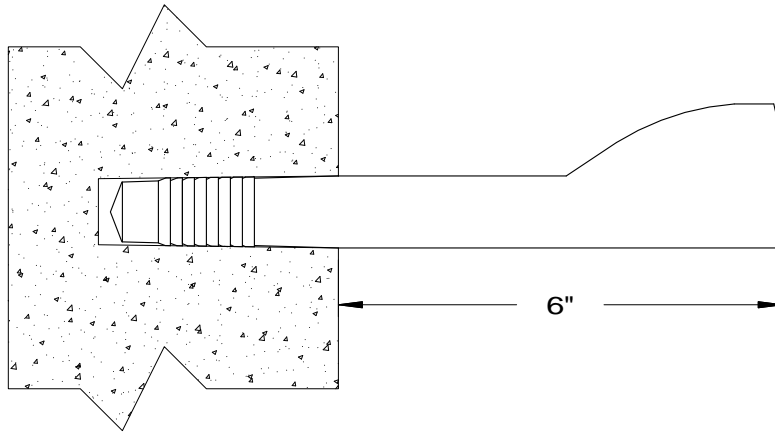
**Section A-A**



**Side View**



**Installed View**



<b>SPECIFICATIONS</b>	
<p>Construction: Copolymer Polypropylene Plastic            Reinforcement: #4 Rebar, grade 60            Design Standard: ASTM C478</p>	<p><b>MANHOLE STEP</b></p>
<p><b>Woodard's Concrete Products, Inc.</b>            629 Lybolt Road, Bullville, NY 10915            (845) 361-3471 / Fax 361-1050</p>	
<p>Page 1J 2/3/05</p>	