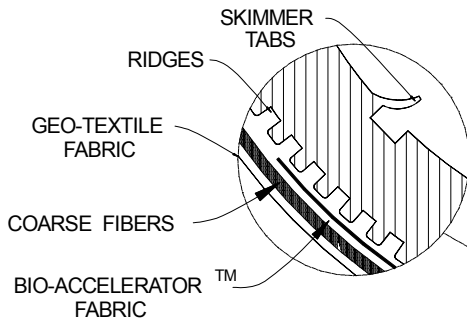
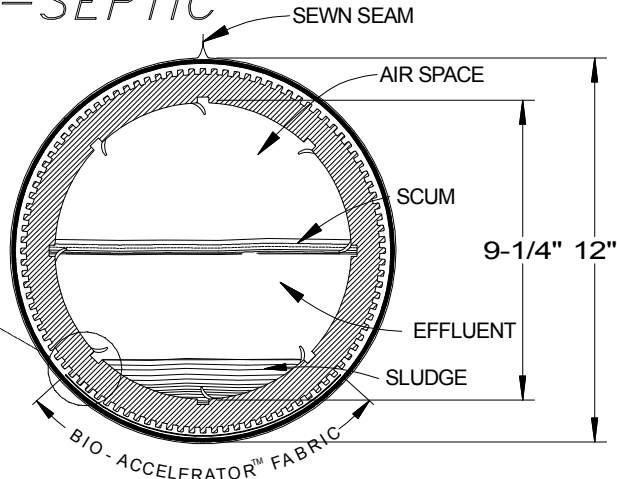


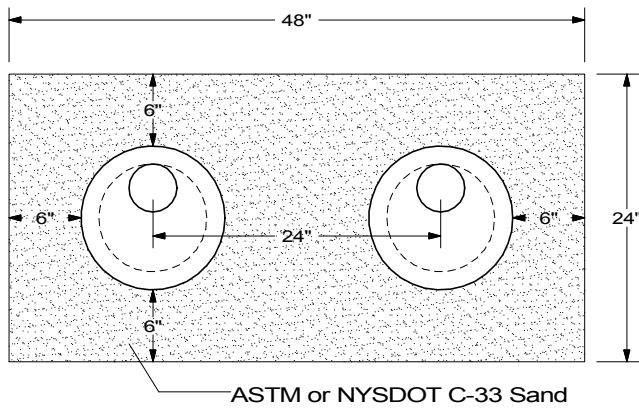
ADVANCED ENVIRO-SEPTIC[®] LEACHING SYSTEM



CROSS SECTION
(NOT TO SCALE)

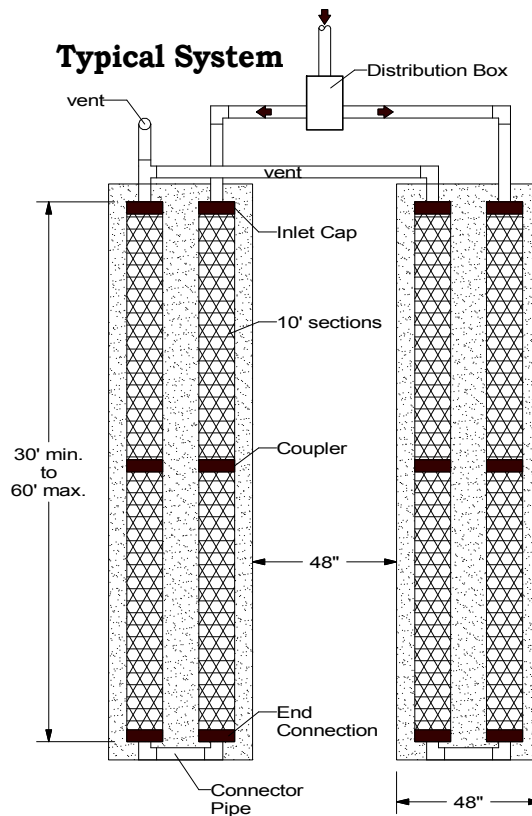


Typical Trench Installation



- System sizing equal to Eljen units
- 10' section holds 58 gallons
- Flexible enough to bend 90 degrees
- H10 & H20 loading possible

Typical System



SPECIFICATIONS

Material: HDPE corrugated
Pipe Connection: coupler band
Inlet Pipe: 4" ID, up to Schedule 80 pvc
Load Rating: up to H20 for under parking lots or driveways

ADVANCED ENVIRO-SEPTIC LEACHING SYSTEM

WOODARD'S
 CONCRETE PRODUCTS, INC.
 629 Lybolt Road, Bullville, NY 10915
 (845) 361-3471 / Fax 361-1050
6/2/14