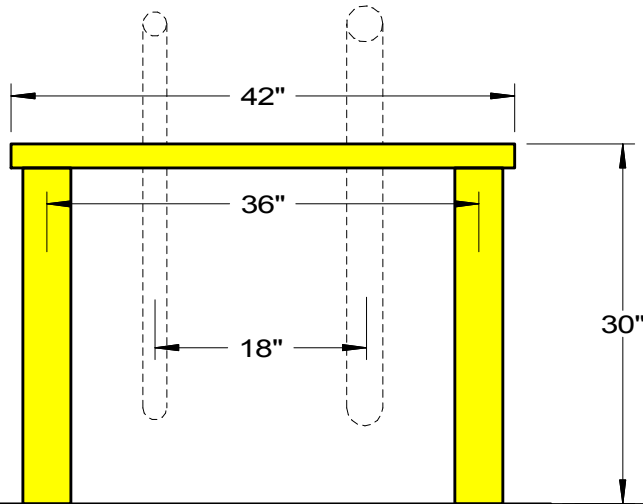
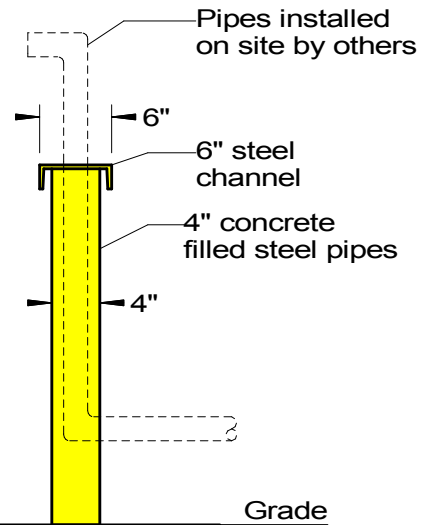


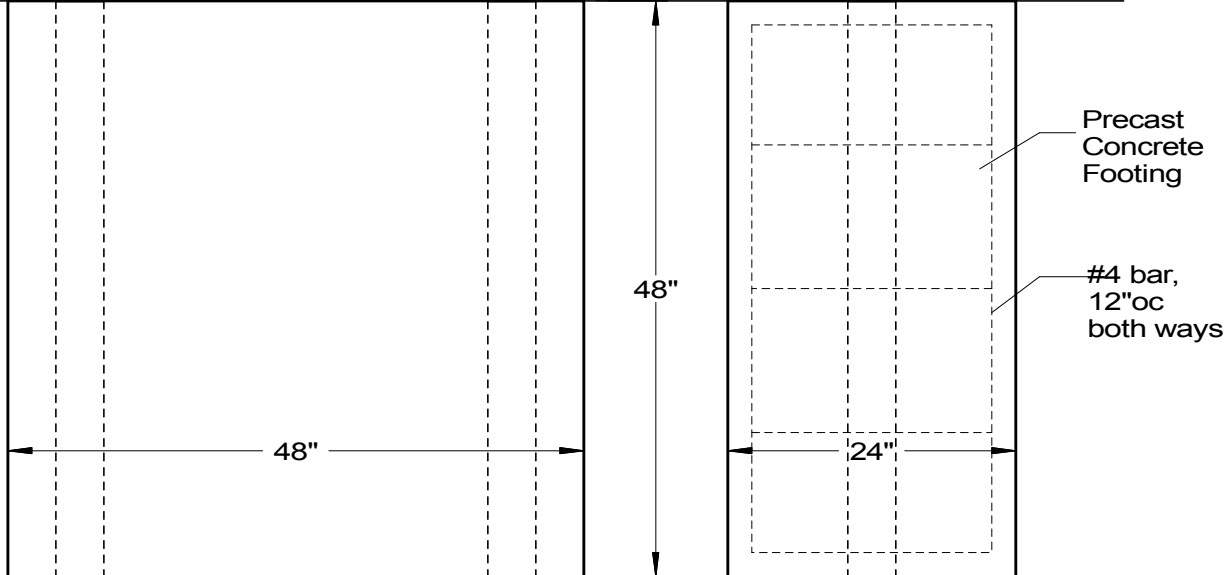
**Top View**



**Front View**



**Side View**



| SPECIFICATIONS  |   |
|---|---|
| <p>Concrete Min. Strength: 4,000 psi at 28 days<br/>           Reinforcement: #4 rebar / ASTM A615<br/>           Air Entrainment: 6%<br/>           Weight = 4,800 lbs<br/>           Paint: Safety Yellow</p> | <p><b>PRECAST PROPANE TANK FILLING STANCHIONS</b></p> <p><b>Woodard's Concrete Products, Inc.</b><br/>           629 Lybolt Road, Bullville, NY 10915<br/>           (845) 361-3471 / Fax 361-1050</p> <p>1/13/14</p> |