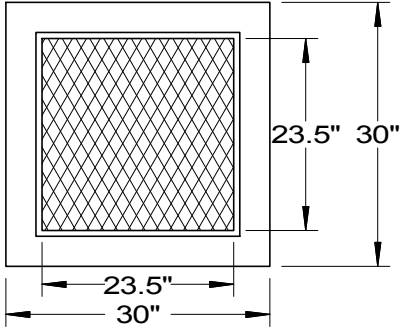
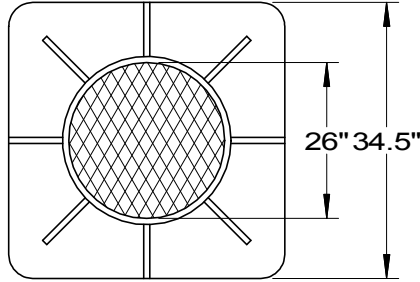


Cover Options:

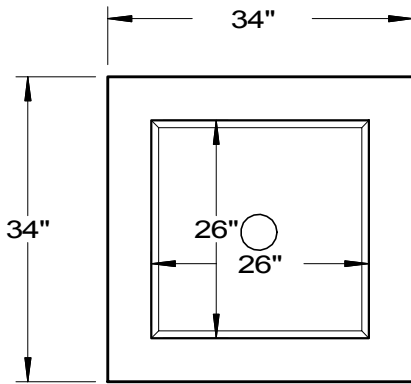
Stock cover w/ 3.5" tall frame



Campbell #1059 w/ 8" tall frame

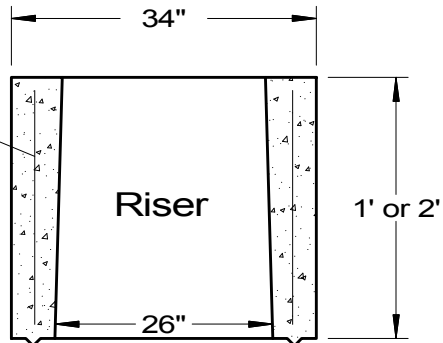


available with:
Plain Cover shown
Bolted & Gasketed Cover
Lettering as needed



Top View

#4 bar 12" oc
both ways

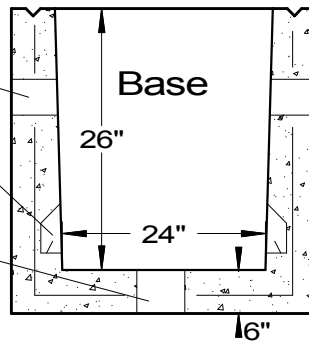


cable racks added
as needed by
contractor

conduit openings
as needed

2 pulling irons
opposite openings

7" hole for drain



Section View

SPECIFICATIONS

Concrete Min. Strength: 4,000 psi at 28 days
Reinforcement: #4 Rebar / ASTM A615
Air Entrainment: 6%
Construction Joint: Butyl Rubber Sealant
Weights: Base = 1,800 lbs; Riser = 600 lb/vf
Load Rating: H20 / ASTM C857

**PRECAST PULLBOX
24"x24"x26" ID**

Woodard's Concrete Products, Inc.
629 Lybolt Road, Bullville, NY 10915
(845) 361-3471 / Fax 361-1050

1/6/2015