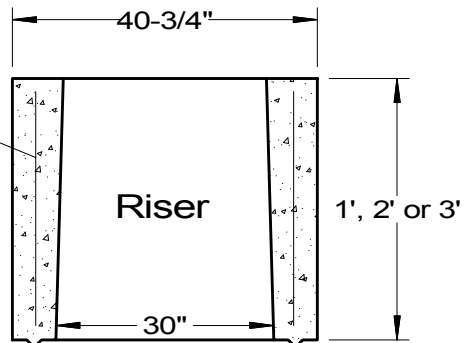


#4 bar 12" oc  
both ways

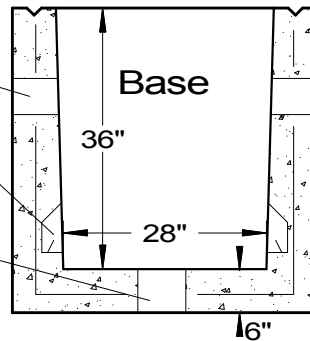


cable racks added  
as needed by  
contractor

conduit openings  
as needed

2 pulling irons  
opposite openings

7" hole for drain



**Section View**

SPECIFICATIONS	
Concrete Min. Strength: 4,000 psi at 28 days Reinforcement: #4 Rebar / ASTM A615 Air Entrainment: 6% Construction Joint: Butyl Rubber Sealant Weights: Base = 3,200 lbs; Riser = 800 lb/vf Load Rating: H20 / ASTM C857	<b>PRECAST PULLBOX</b> <b>30"x30"x36" ID</b>  <b>Woodard's Concrete Products, Inc.</b> 629 Lybolt Road, Bullville, NY 10915 (845) 361-3471 / Fax 361-1050  12/31/2014