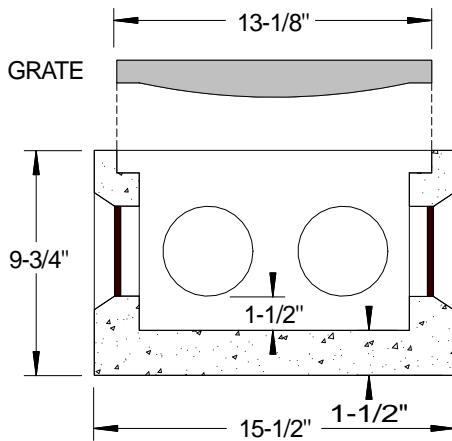


(6) 4" outlets

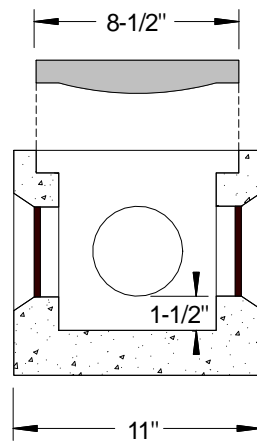
Use a RAIN DRAIN for:

- Downspouts
- Driveways
- Garage Floors
- Patios
- & many other uses

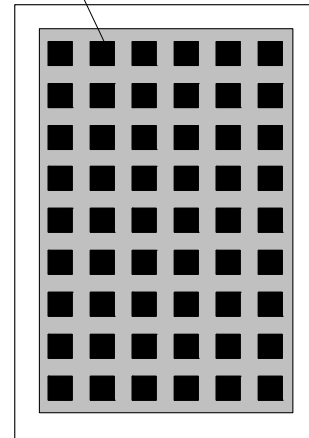
1/2" square openings
(meets ADA requirements)



Side View



End View



Top View

SPECIFICATIONS	
<p>Concrete Min. Strength: 4,000 psi at 28 days Reinforcement: Fiber Air Entrainment: 5% Grate: Polypropylene or Cast Iron Pipe Connection: Polylok Seal (patented) Load Rating: 300 psf</p>	<p>PRECAST CATCH BASIN MODEL RDB-6 / RAIN DRAIN BOX</p> <p>Woodard's Concrete Products, Inc. 629 Lybolt Road, Bullville, NY 10915 (845) 361-3471 / Fax 361-1050</p>
<p>Page 1I 2/2/05</p>	