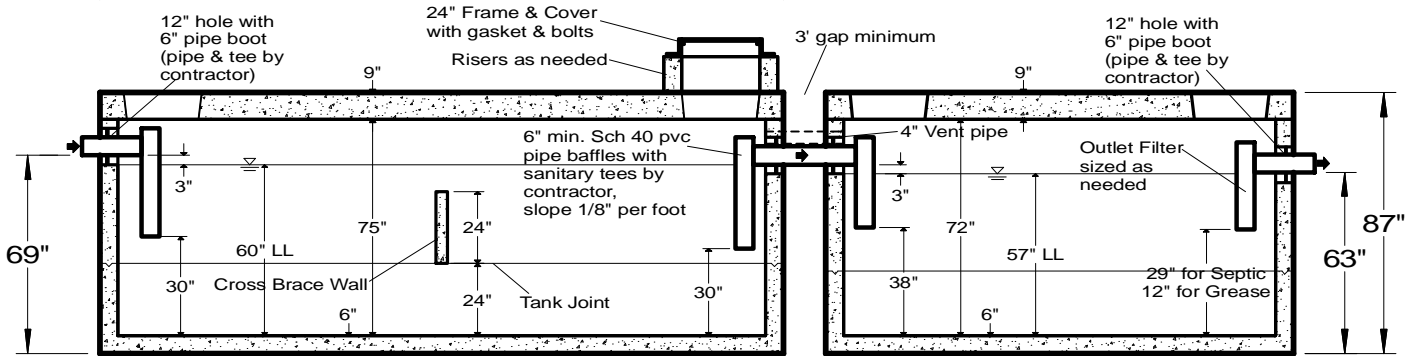
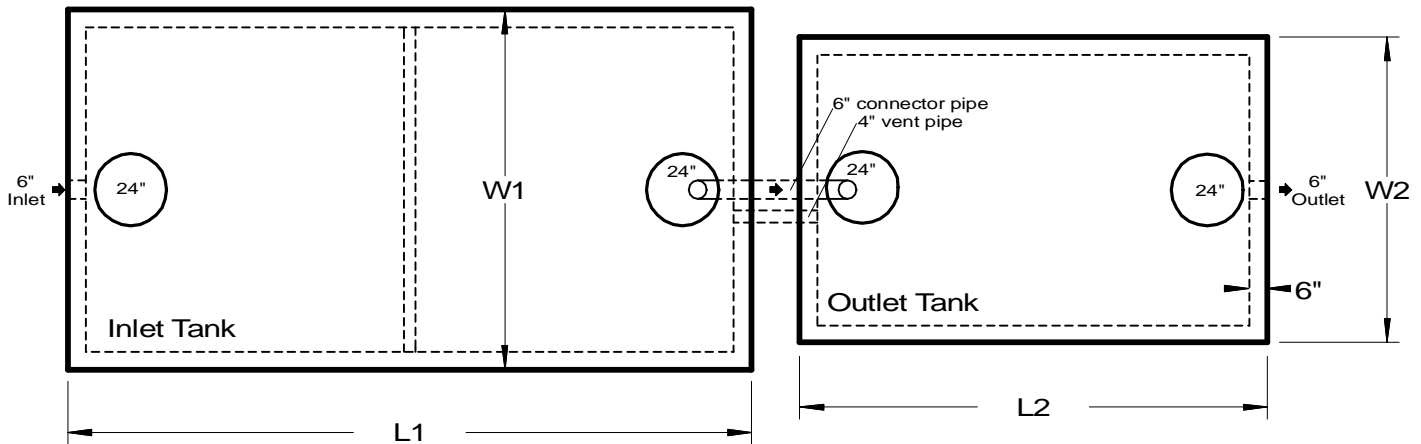


**Top View**



**Side View**

Other Inlet & Outlet sizes available as needed.

| Tank Capacity | L1     | W1    | L2     | W2    | Inlet Cap. | Outlet Cap. | Total Wt. |
|---------------|--------|-------|--------|-------|------------|-------------|-----------|
| 8,000 gal.    | 18'-0" | 9'-6" | 12'-0" | 8'-0" | 5,300 gal. | 2,700 gal.  | 85,500 lb |
| 10,000 gal.   | 21'-6" | 9'-6" | 15'-0" | 8'-0" | 6,500 gal. | 3,500 gal.  | 98,500 lb |

Tank designs are based on the NYSDEC 2012 draft standards.

| SPECIFICATIONS  | PRECAST TRAFFIC RATED TANKS<br>8,000 & 10,000 GALLON<br>SEPTIC or GREASE TANKS                                    |
|---|---|
| Concrete Min. Strength: 4,000 psi at 28 days<br>Reinforcement: #4 & #5 Rebar / ASTM A615<br>Air Entrainment: 6%<br>Construction Joint: Butyl Rubber Sealant<br>Pipe Connections: NPC Kor-N-Seal boots<br>Load Rating: HS20-44 + 30% / ASTM C857 | <b>Woodard's Concrete Products, Inc.</b><br>629 Lybolt Road, Bullville, NY 10915<br>(845) 361-3471 / Fax 361-1050 |
| Page 13A 1/9/13   |   |