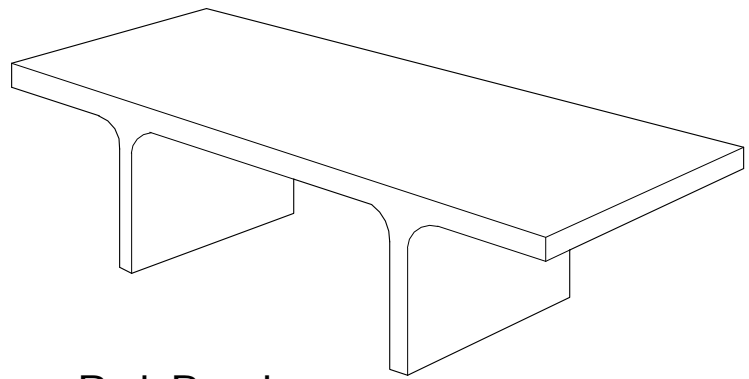
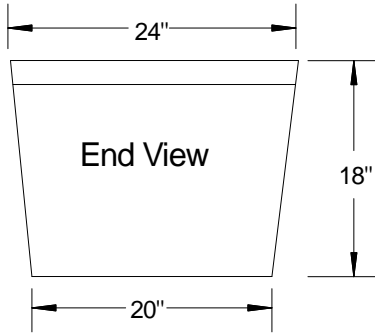


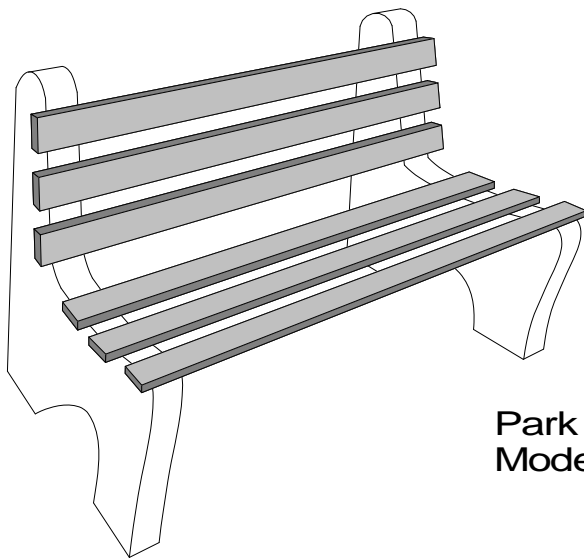
Side View



Park Bench
Model SPB

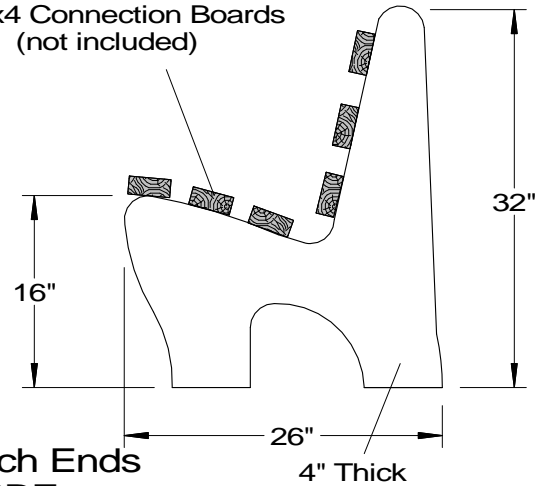


End View



Park Bench Ends
Model SPBE

3/8" NC Threaded Inserts Cast In
for 2x4 Connection Boards
(not included)



SPECIFICATIONS	
<p>Concrete Min. Strength: 4,000 psi at 28 days Reinforcement: #3 Rebar Air Entrainment: 5% Weights: SPB = 330 lbs SPBE = 150 lbs</p>	<p>PRECAST PARK BENCHES MODELS SPB & SPBE</p> <p>Woodard's Concrete Products, Inc. 629 Lybolt Road, Bullville, NY 10915 (845) 361-3471 / Fax 361-1050</p> <p>Page 8F 9/12/02</p>