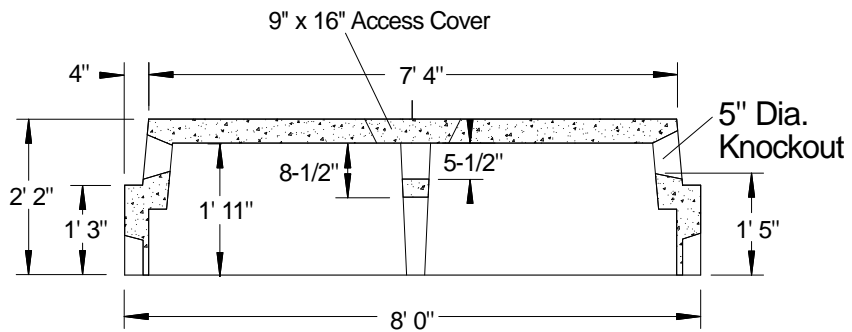
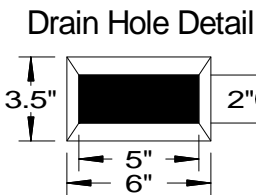


End View



Side View

SPECIFICATIONS	
<p>Concrete Min. Strength: 4,000 psi at 28 days Reinforcement: #3 Rebar Air Entrainment: 5% Capacity: 180 gallons Sidewall Area: 43 square feet Weight = 1,800 lbs Load Rating: H20 / ASTM C857</p>	<p style="text-align: center;">PRECAST LEACHING CHAMBER MODEL TG-4X8 / TRI-GALLEY</p> <p style="text-align: center;">Woodard's Concrete Products, Inc. 629 Lybolt Road, Bullville, NY 10915 (845) 361-3471 / Fax 361-1050</p> <p style="text-align: center;">Page 11D 1/25/05</p>