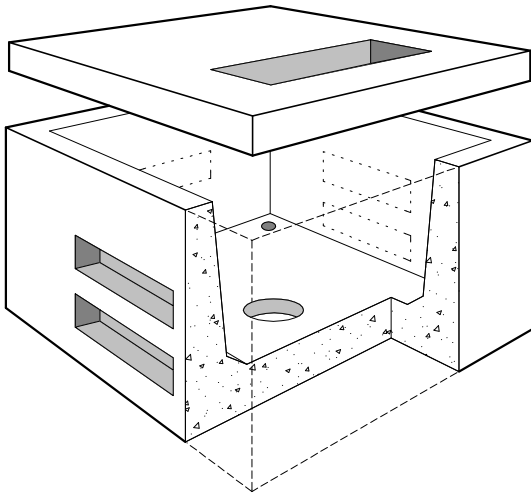
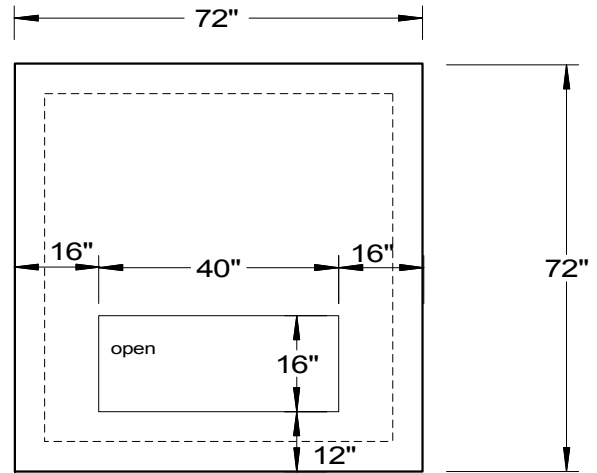


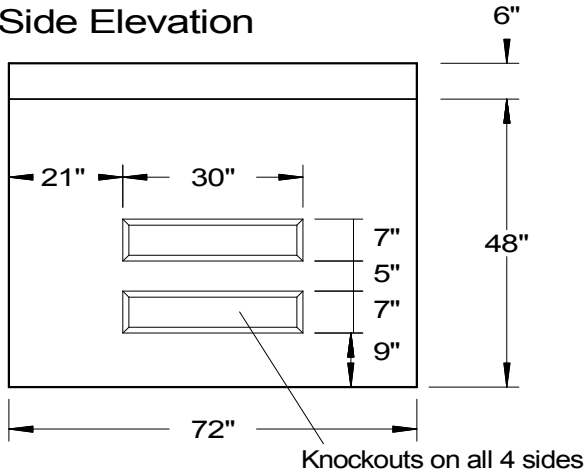
This vault is an acceptable equivalent for Central Hudson's MC-100 base with the MC-101 cover. Other style covers are available on request.



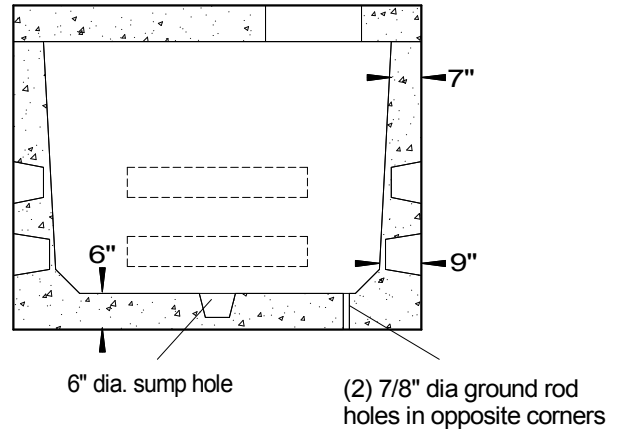
Plan View



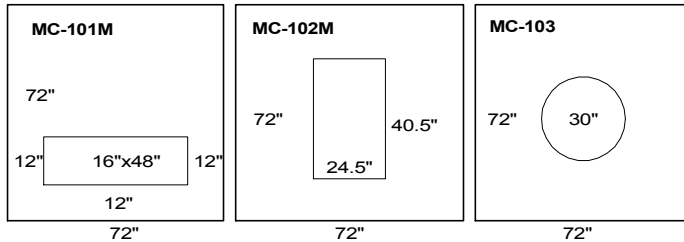
Side Elevation



Section View



Optional Covers



SPECIFICATIONS

Concrete Min. Strength: 4,000 psi at 28 days
 Reinforcement: #4 Rebar, 6x6x10ga. WWM
 Air Entrainment: 6%
 Weight = 8,800 lbs
 Load Rating: 300 psf

**THREE PHASE TRANSFORMER PAD
 MODEL TV-6X6 500 kva**

Woodard's Concrete Products, Inc.
 629 Lybolt Road, Bullville, NY 10915
 (845) 361-3471 / Fax 361-1050

Page 16F 5/11/17