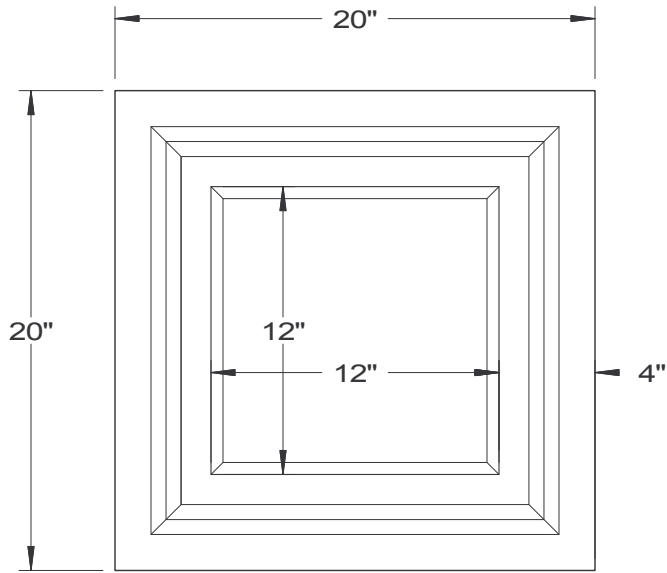
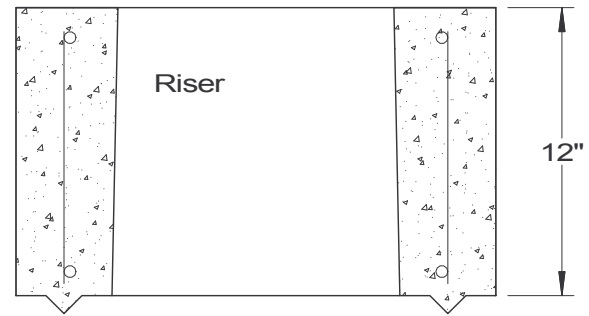
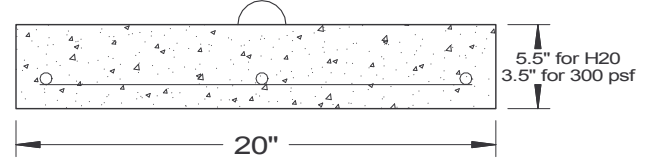
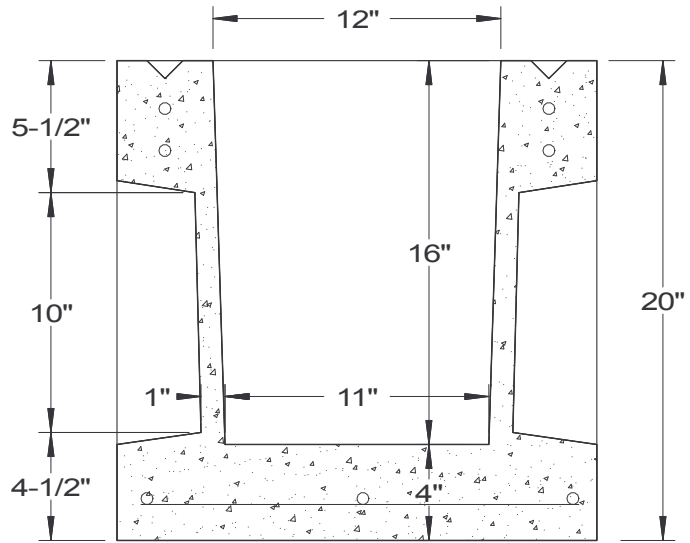


Cast Iron Grate



Top View



Side View

**SPECIFICATIONS**

Concrete Min. Strength: 4,000 psi at 28 days  
 Reinforcement: #4 Rebar / ASTM A615  
 Air Entrainment: 6%  
 Construction Joint: Butyl Rubber Sealant  
 Weights: Base = 430 lbs, Riser = 280 lbs/foot  
 Load Rating: H20 / ASTM C857

**PRECAST CATCH BASIN  
 MODEL CB-12x12**

**Woodard's Concrete Products, Inc.**  
 629 Lybolt Road, Bullville, NY 10915  
 (845) 361-3471 / Fax 361-1050