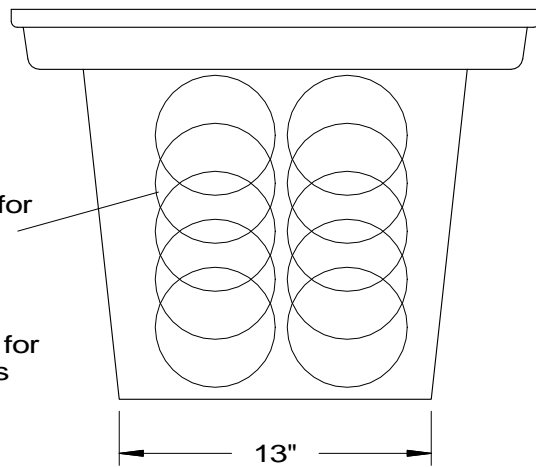
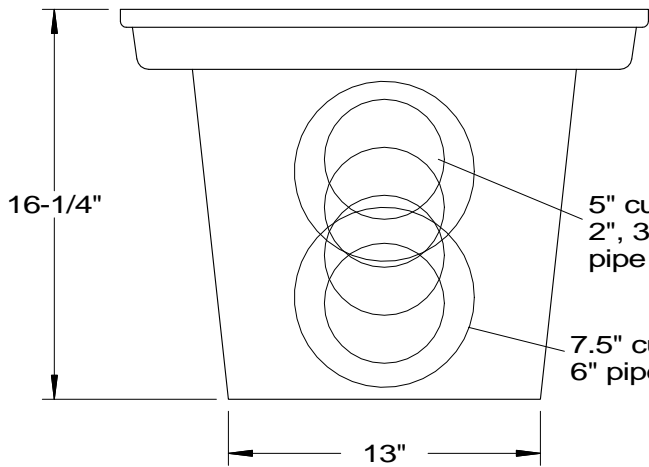
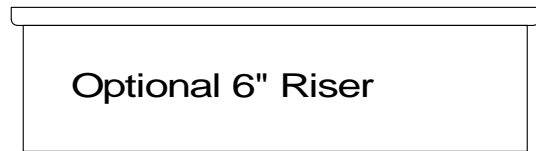
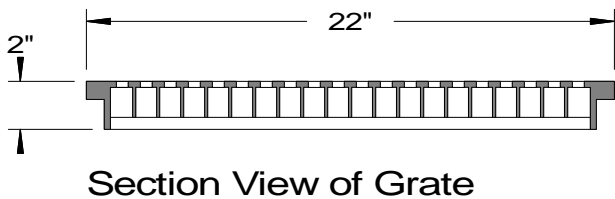
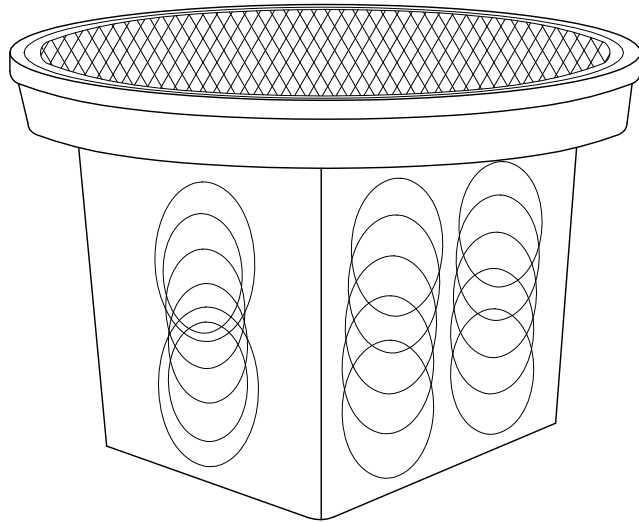
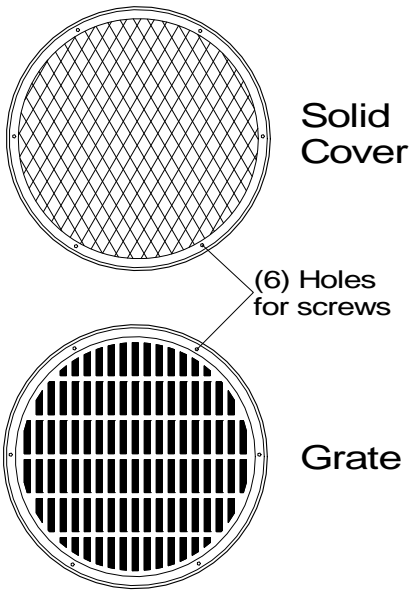


Two styles of covers



Side View of 2 sides

Side View of 2 sides

SPECIFICATIONS	
<p>Material: High Density Polyethylene                      Color: Medium Green                      Grate Openings: 1/2" wide ADA compliant                      Pipe Connections: 2" to 6" schedule 35 or 40 pipe, 4" or 6" corrugated pipe                      Load Rating: 1,000 lbs max.</p>	<p style="text-align: center;"><b>POLYETHYLENE CATCH BASIN                      MODEL DB-POLY20DIA</b></p> <p><b>Woodard's Concrete Products, Inc.</b>                      629 Lybolt Road, Bullville, NY 10915                      (845) 361-3471 / Fax 361-1050</p> <p style="text-align: center;">Page 5I 9/17/04</p>