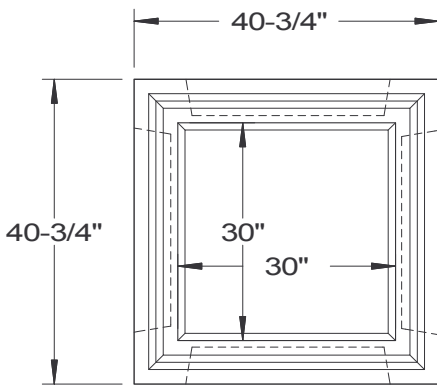
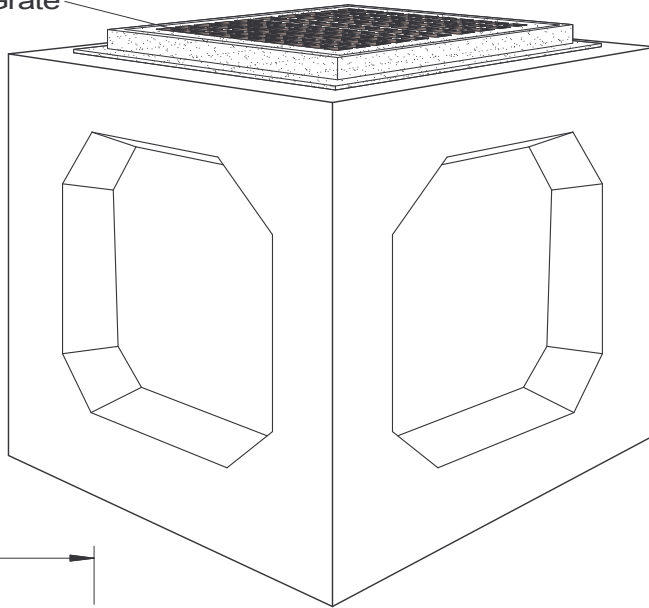
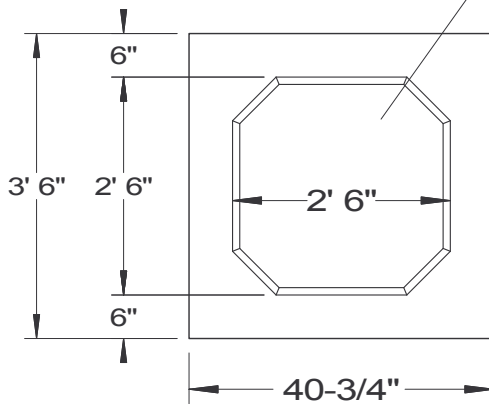


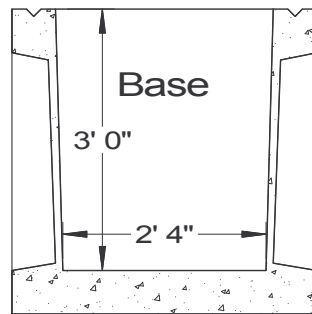
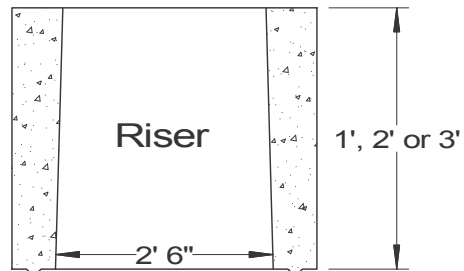
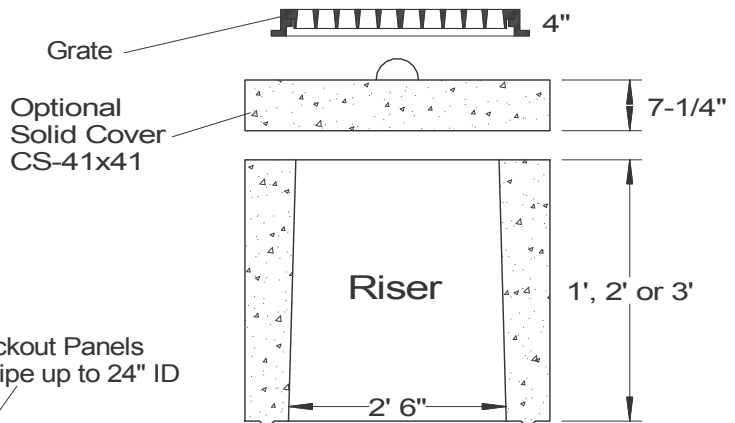
Cast Iron Frame & Grate



Top View



Side View



Section View

SPECIFICATIONS

Concrete Min. Strength: 4,000 psi at 28 days
 Reinforcement: #4 Rebar / ASTM A615
 Air Entrainment: 6%
 Construction Joint: Butyl Rubber Sealant
 Weights: Base = 2,200 lbs, Riser = 950 lbs/vf
 Load Rating: H20 / ASTM C857

**PRECAST CATCH BASIN
 MODEL CB-30X30**

Woodard's Concrete Products, Inc.
 629 Lybolt Road, Bullville, NY 10915
 (845) 361-3471 / Fax 361-1050