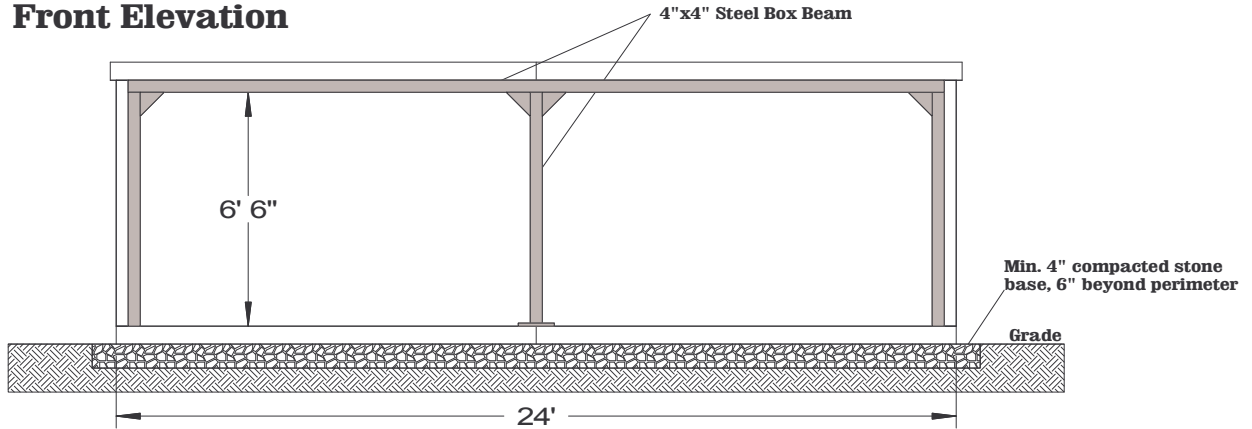
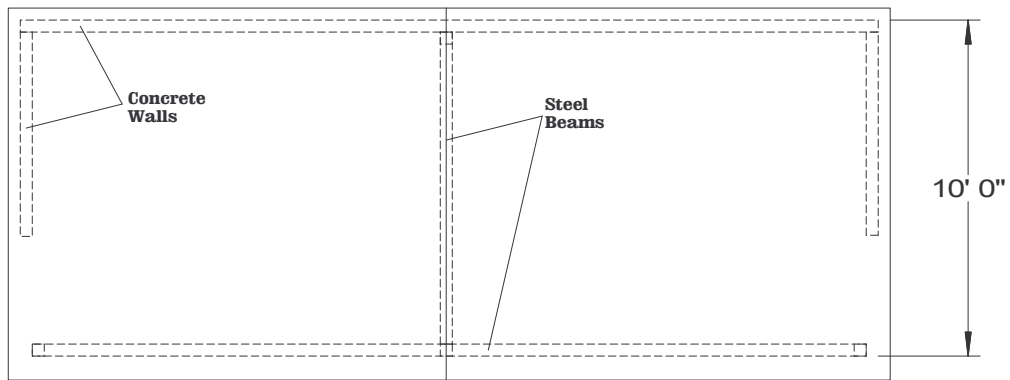


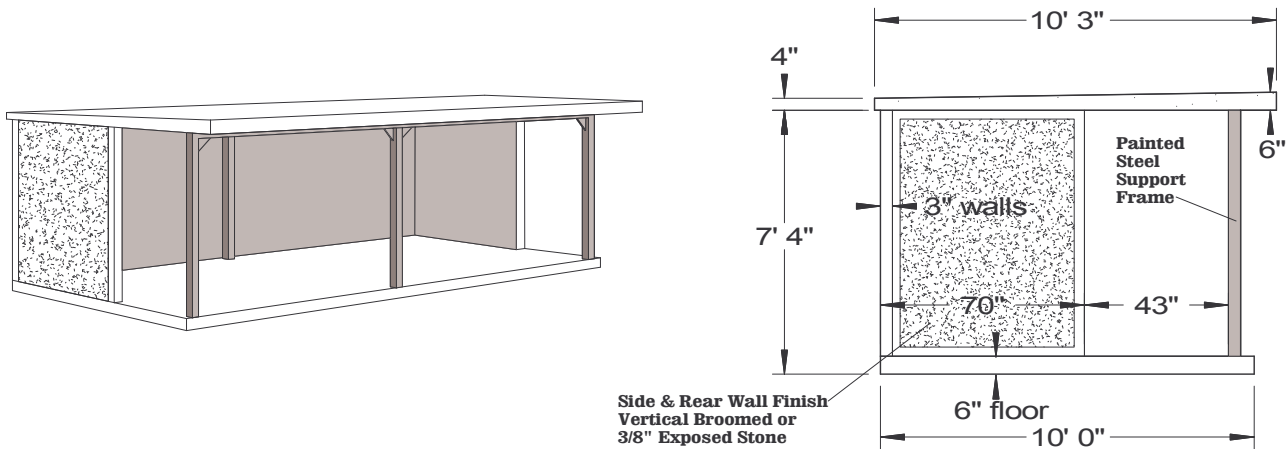
Front Elevation



Plan View



Side Elevation



SPECIFICATIONS

Concrete Min. Strength: 4,000 psi at 28 days
 Reinforcement: #3 & #4 Rebar / ASTM A615
 Air Entrainment: 6%
 Construction Joint: Sikaflex 1A Polyurethane
 Finish: Broom or Exposed Aggregate
 Load Rating: Floor = 300 psf, Roof = 60 psf
 Weight = 42,000 lbs

PRECAST DUGOUT BUILDING / 10'x24'

Woodard's Concrete Products, Inc.
 629 Lybolt Road, Bullville, NY 10915
 (845) 361-3471 / Fax 361-1050

Page 2G 1/24/11