

# WOODARD'S

CONCRETE PRODUCTS, INC.

629 Lybolt Road, Bullville, NY 10915

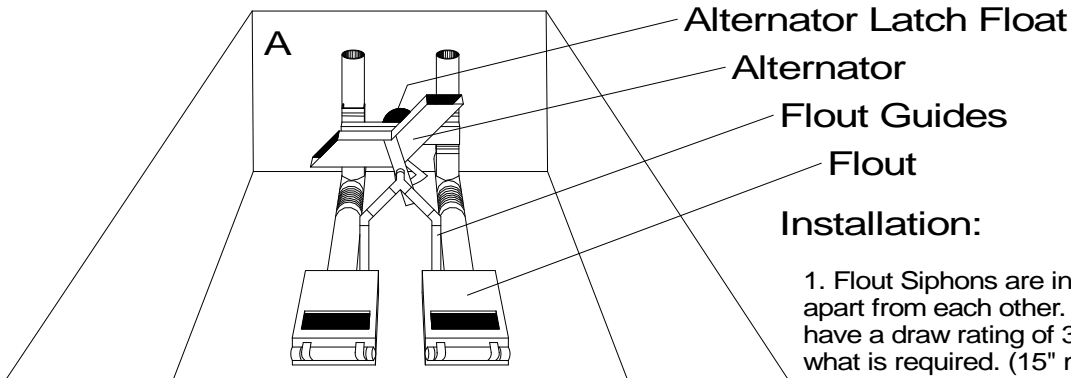
(845) 361-3471 / Fax 361-1050

Peekskill (914) 737-1074

www.woodardsconcrete.com

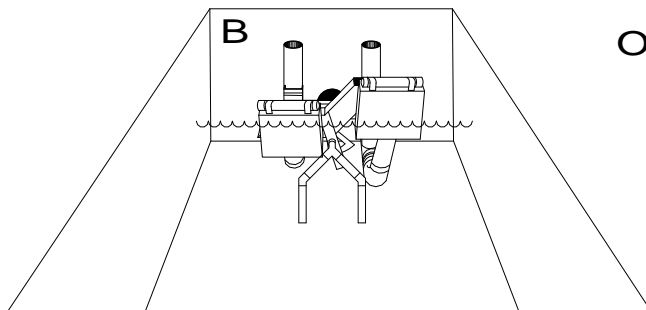
## Dual Alternating Flout Siphon Specification Sheet

Made in the USA by:



### Installation:

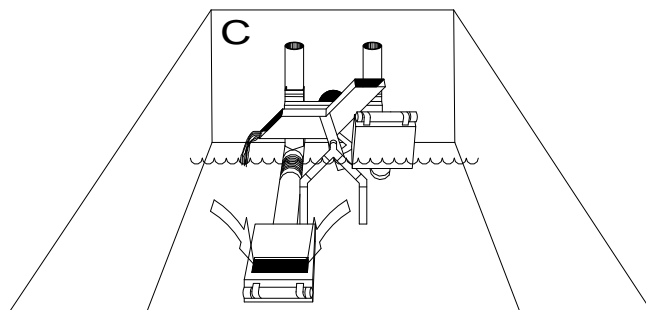
1. Flout Siphons are installed 12" oc apart from each other. Flouts should have a draw rating of 3" higher than what is required. (15" min.)
2. The Flout bracket is clamped to the overflow pipes with the bottom of the bracket hitting the tee.



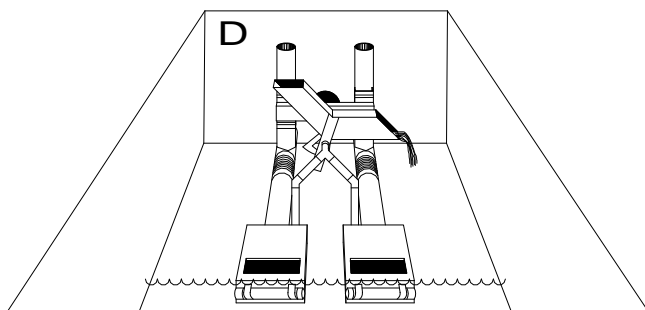
### Operation:

A: At the start of a cycle, the alternator is latched with one side down. (in this case the left)

B: As the tank fills, both halves of the alternator fill with water and the left Flout is stopped while the right one floats higher.



C: The left Flout is triggered while the right one still floats causing all the effluent to go out this side. The water on the left side of the alternator spills out while it is retained on the right side.



D: As the water level gets down, the latch float releases, the heavier right side tips down and dumps out and the latch re-engages. It is now ready for the right side to siphon.