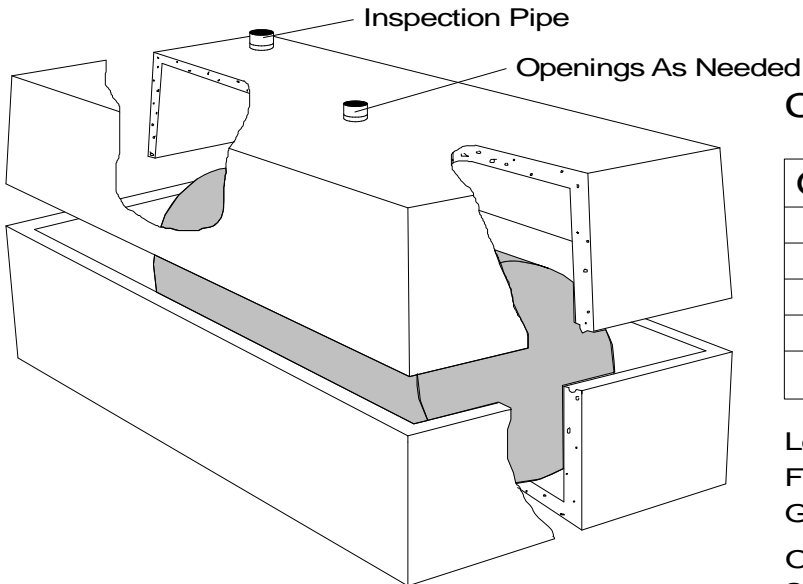
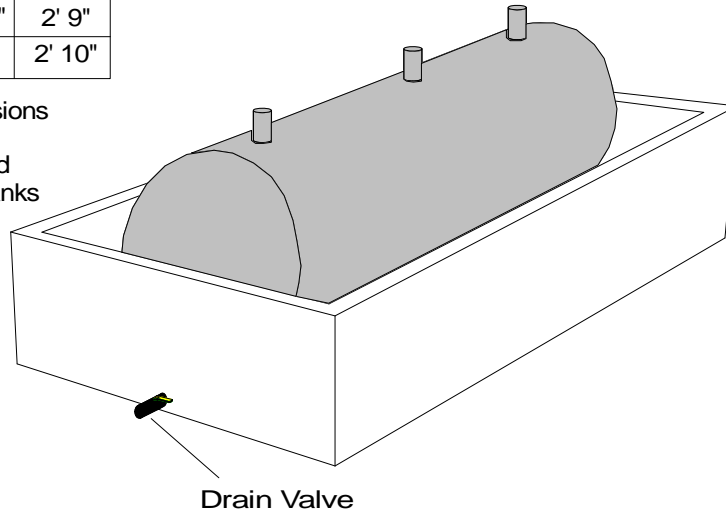


Open Containment Vessel:

Catalog #	Tank Size	Capacity	Length	Width	Height
FC-275	275 gal.	490 gal.	8' 0"	4' 0"	2' 9"
FC-500	500 gal.	630 gal.	8' 6"	4' 10"	2' 9"
FC-1000	1,000	1,290	12' 0"	6' 6"	2' 10"

- Length, Width, & Height are outside dimensions
- Container has 3" thick walls & floor
- Other sizes can be custom made as needed
- Concrete saddles are available for 4' dia. tanks



Closed Containment Vessel:

Gallons	L	W	H	Cat.#
490	8' 0"	4' 0"	5' 5"	GT-750
630	8' 6"	4' 10"	5' 5"	GT-1000
800	10' 0"	5' 0"	5' 5"	GT-1250
960	10' 6"	5' 8"	5' 5"	GT-1500
1290	12' 0"	6' 6"	5' 7"	GT-2000

- Length, width, & height are outside dimensions
 For inside dimensions, subtract 6"
 Gallon capacity measured to tank seam
 Other vents, pumps or pipes can be added as needed.

SPECIFICATIONS	
Concrete Min. Strength: 4,000 psi at 28 days Reinforcement: #3 Rebar, 10ga. Wire Mesh Air Entrainment: 5%	PRECAST FUEL CONTAINMENT 300 TO 1,000 GALLON TANKS Woodard's Concrete Products, Inc. 629 Lybolt Road, Bullville, NY 10915 (845) 361-3471 / Fax 361-1050 Page 12F 5/21/02