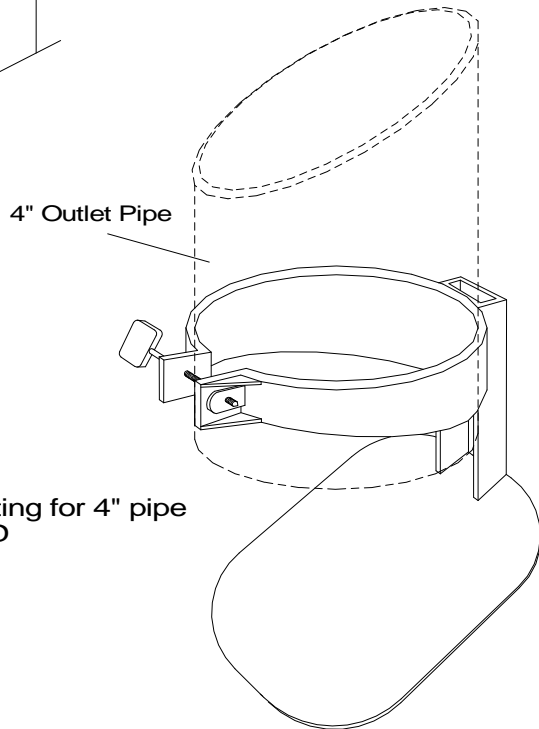


Standard Baffle for all 1000 gallon and 1250 gallon seamless tanks (only outlet has gas deflector)



Add-on Fitting for 4" pipe Model FGD

<b>SPECIFICATIONS</b>	
Construction: Polyethylene Plastic	<b>GAS DEFLECTOR BAFFLES</b>
	<b>Woodard's Concrete Products, Inc.</b> 629 Lybolt Road, Bullville, NY 10915 (845) 361-3471 / Fax 361-1050  Page 4H 5/24/02