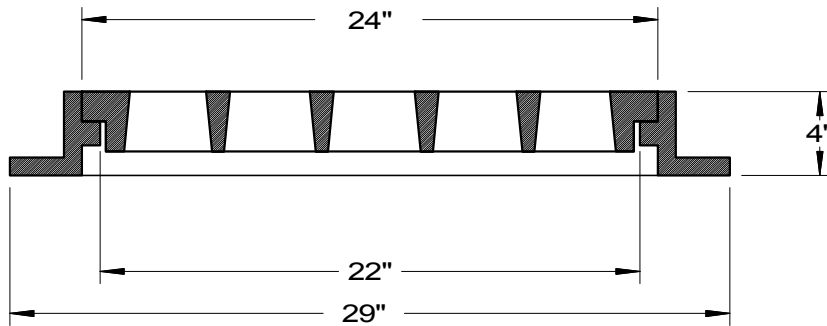


2"x2" holes



SPECIFICATIONS	
Material: ASTM A48 Class 30B Load Rating: Heavy Duty, H20 Weight = 300 lbs Drainage Area = 324 square inches Campbell #2915 equivalent Reversible Frame	CAST IRON FRAME & GRATE MODEL GRATE-24x24x4 Woodard's Concrete Products, Inc. 629 Lybolt Road, Bullville, NY 10915 (845) 361-3471 / Fax 361-1050 7/14/15