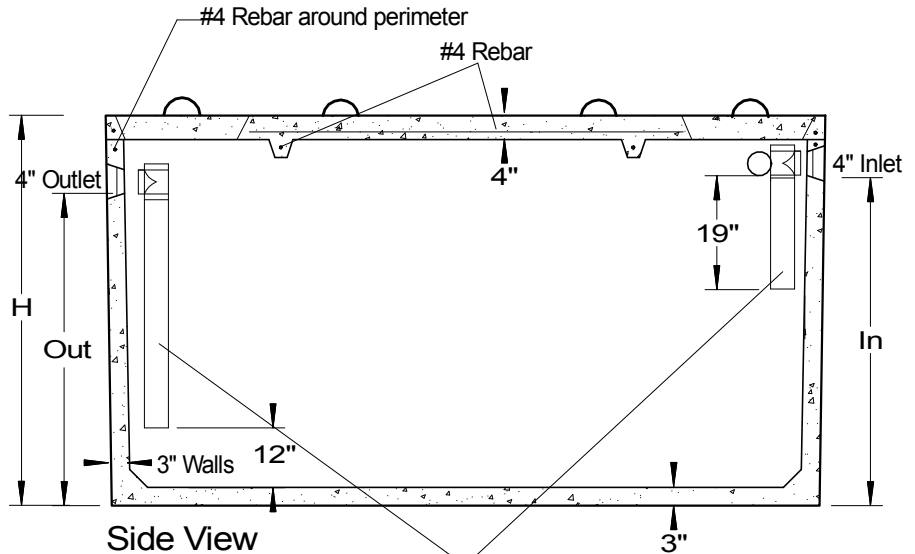
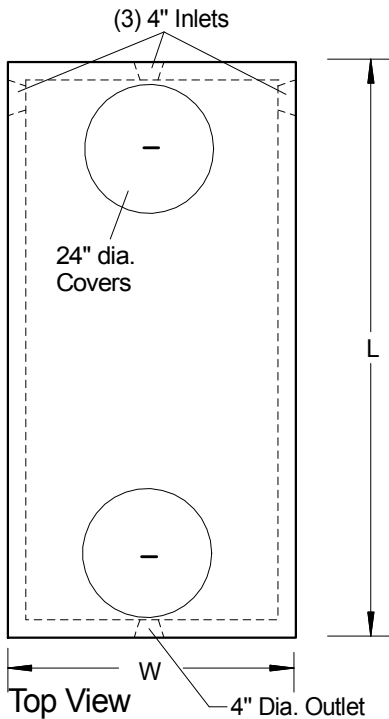
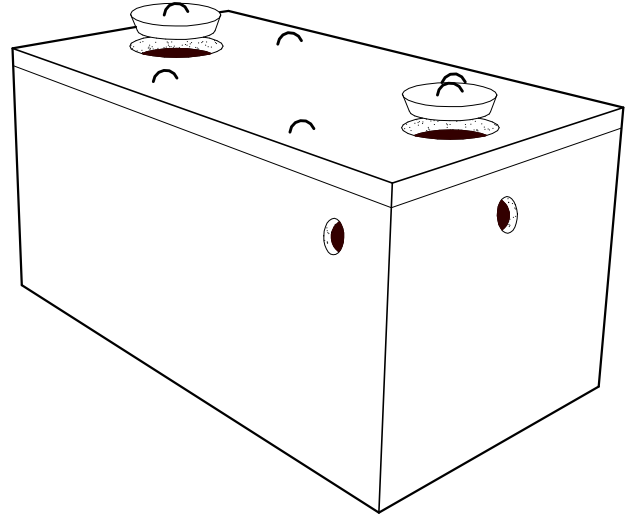


Dimensions:

Size	Cat.#	L	W	H	In	Out
750 gallon	GT-750	8' 6"	4' 10"	56"	47"	44"
1000 gallon	GT-1000	8' 6"	4' 10"	65"	55"	50.75"
1250 gallon	GT-1250	10' 0"	5' 0"	65"	55"	50.75"



Field install inlet & outlet baffles using pipe & sanitary tees (not included).

SPECIFICATIONS	
Concrete Min. Strength: 4,000 psi at 28 days Reinforcement: #4 rebar gr. 60, Forta Ferro 5 lb/cy Air Entrainment: 6% Construction Joint: Butyl Rubber Sealant Pipe Connection: Polylok Seal (patented) Load Rating: 300 psf	<p align="center">PRECAST GREASE TRAPS 750 TO 1250 GALLONS</p> <p>Woodard's Concrete Products, Inc. 629 Lybolt Road, Bullville, NY 10915 (845) 361-3471 / Fax 361-1050</p> <p align="center">Page 7C 7/16/14</p>