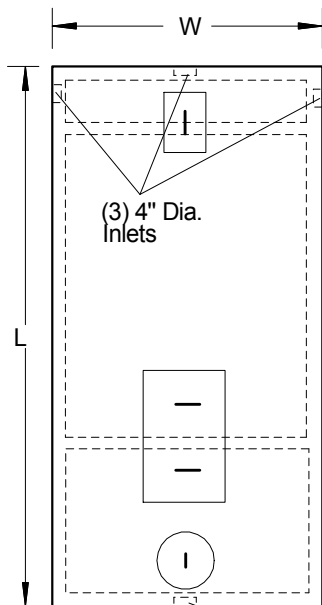
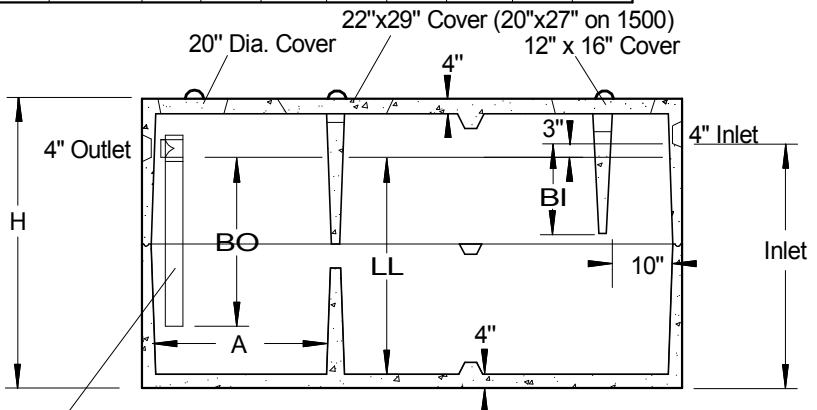


Dimensions:

SIZE	CAT.#	H	Inlet	LL	BI	BO	L	W	A
1500 Gallon	GT-1500	65"	55"	49"	17"	37"	10'-6"	5'-8"	37"
2000 Gallon	GT-2000	68"	56"	49"	17"	37"	12'	6'-6"	43"
2500 Gallon	GT-2500	83"	71"	64"	17"	52"	12'	6'-6"	43"
3000 Gallon	GT-3000	94"	82"	75"	17"	63"	12'	6'-6"	43"



Top View 4" Dia. Outlet



Side View

Outlet Tee Baffle installed on site by others.

SPECIFICATIONS		PRECAST GREASE TRAPS 1500 TO 3000 GALLONS	
Concrete Min. Strength: 4,000 psi at 28 days Reinforcement: #3 Rebar, 6x6x10/10 WWM Air Entrainment: 6% Construction Joint: Butyl Rubber Sealant Pipe Connection: Polylok Seal (patented) Load Rating: 300 psf		Woodard's Concrete Products, Inc. 629 Lybolt Road, Bullville, NY 10915 (845) 361-3471 / Fax 361-1050	
		Page 8C 7/18/14	