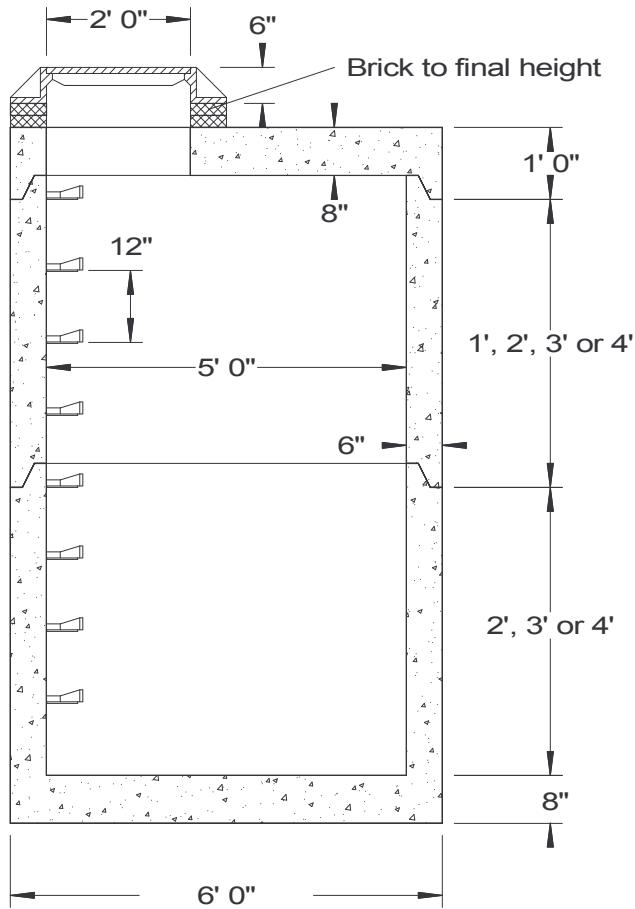
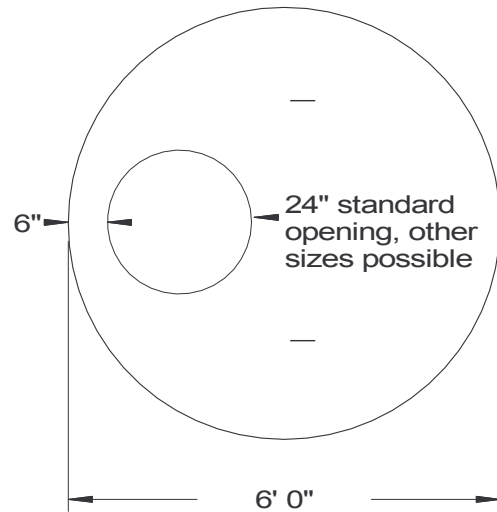


Weights: 8" Base = 2,500 lbs
 Walls = 1,250 lbs/foot
 8" Flat Top = 2,650 lbs



Top View of Cover



- 12" extended base available on a special order basis only, 8" OD x 8"
- 60" ID to 48" ID Reducer Slabs available

SPECIFICATIONS	
<p>Concrete Min. Strength: 4,000 psi at 28 days Reinforcement: 3x12 - W3 x W2.1 / ASTM C478 Air Entrainment: 6% Construction Joint: Butyl Rubber Sealant Pipe Connections: Rubber Boots available Load Rating: H20 + 30% / ASTM C857</p>	<p>PRECAST MANHOLES 5' ID BASE, RISER & TOP</p> <p>Woodard's Concrete Products, Inc. 629 Lybolt Road, Bullville, NY 10915 (845) 361-3471 / Fax 361-1050</p>
<p>Page 3J 5/30/02</p>	