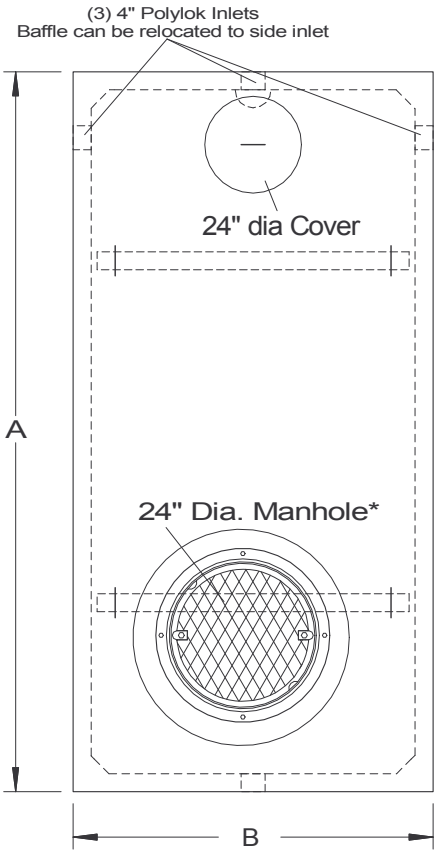
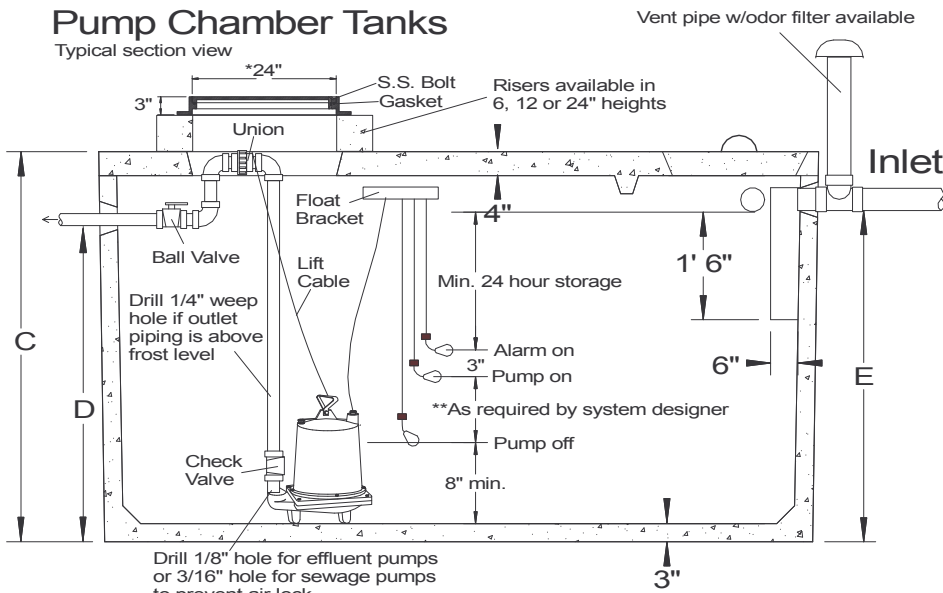


# Pump Chamber Tanks

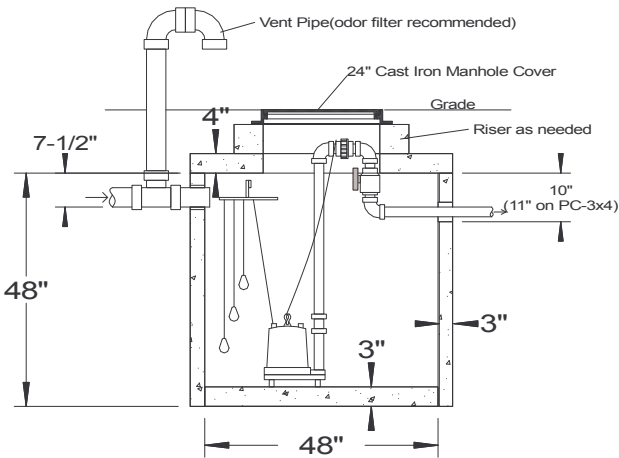
Typical section view



\*24" opening is the minimum necessary for access to a single pump. 30" opening for two pumps. Aluminum hatch doors are also available.

\*\*7" minimum elevation change is recommended when using float switches. For smaller doses, a pressure bell system is better (CSI Controls RK series).

## Residential Pump Chamber Round Tank Options



Typical Section View  
 4' ID Residential Pump Chamber (PC-4X4)  
 2' and 4' high risers available  
 3' ID Chamber also available (PC-3X4)

Model	A	B	C	D	E	Gallons per inch LL
GT-750	8'-6"	4'-10"	56"	47"	44"	21.6
*GT-1000	8'-6"	4'-10"	65"	50.5"	55"	21.6
*GT-1250	10'	5'	65"	50.5"	55"	26.7
PC-1500	10'-6"	5'-8"	65"	52"	55"	32.3
PC-2000	12'	6'-6"	67"	53"	56"	43.1
PC-2500	12'	6'-6"	82"	68"	71"	43.1
PC-3000	12'	6'-6"	93"	79"	82"	43.1

\*Indicates stock size

## SPECIFICATIONS

Concrete Min. Strength: 4,000 psi at 28 days  
 Reinforcement: WWM & Rebar  
 Air Entrainment: 6%  
 Pipe Connection: Polylok Seal or Pipe Boots  
 Volume: 3' ID = 53 gal/vf, 4' ID = 94 gal/vf  
 Load Rating: 300 psf

## PRECAST PUMP CHAMBERS RESIDENTIAL GRADE

**Woodard's Concrete Products, Inc.**  
 629 Lybolt Road, Bullville, NY 10915  
 (845) 361-3471 / Fax 361-1050