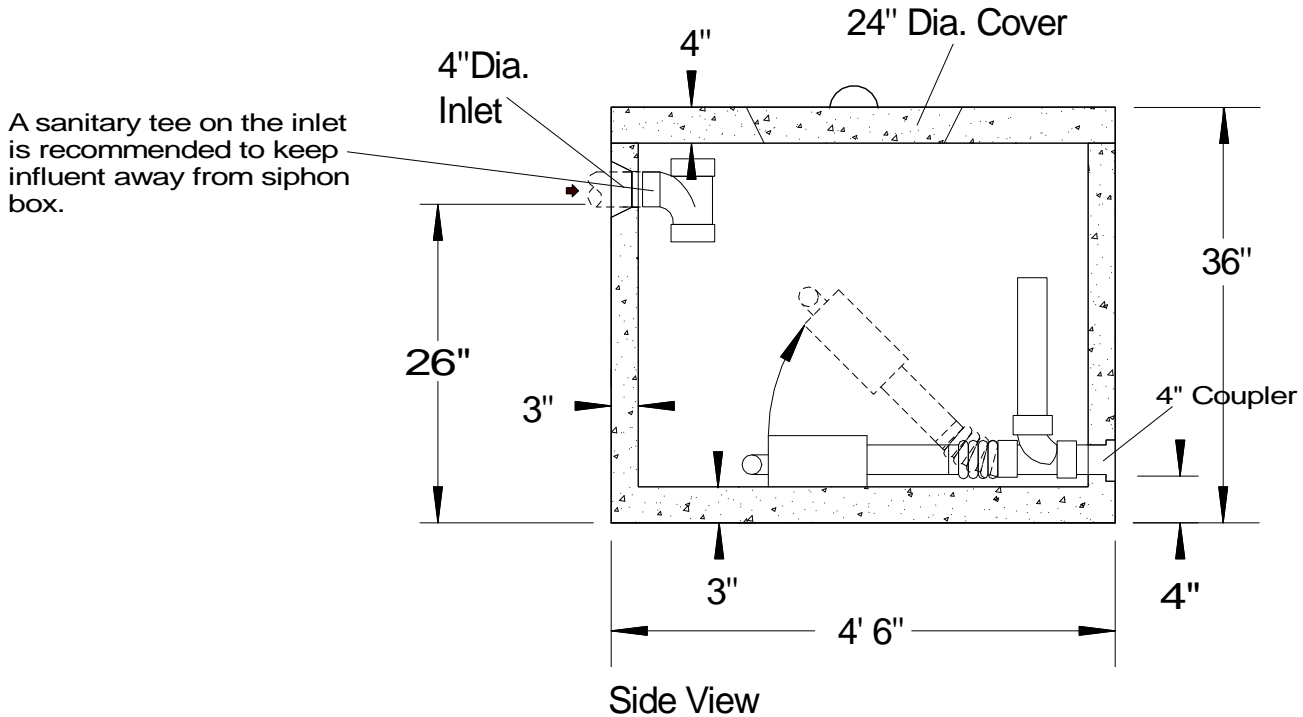


Top View

Model #	313	317
Pipe Size (inches)	3	3
Single Siphon		
Draw (in.)	13*	17*
Dose (gallons)	102	133
Rate (gal/min)	72	72
Invert in to Invert out	22"	22"

*17" draw is the maximum for this chamber. Any dose between 63 and 133 gallons is possible by adjusting the siphon. Just give us your gallon requirement and we will adjust the draw.



Side View

SPECIFICATIONS	
Concrete Min. Strength: 4,000 psi at 28 days Reinforcement: #4 Rebar, 6x6x10ga. WWM Air Entrainment: 5% Construction Joint: Butyl Rubber Sealant Pipe Connection: Polylok Seal & SDR-35 Coupler Weight = 2,600 lbs Load Rating: 300 psf	<p align="center">PRECAST SIPHON CHAMBER SMALL DOSAGE SC-4X3</p> <p align="center">Woodard's Concrete Products, Inc. 629 Lybolt Road, Bullville, NY 10915 (845) 361-3471 / Fax 361-1050</p> <p align="center">Page 1C 7/16/03</p>