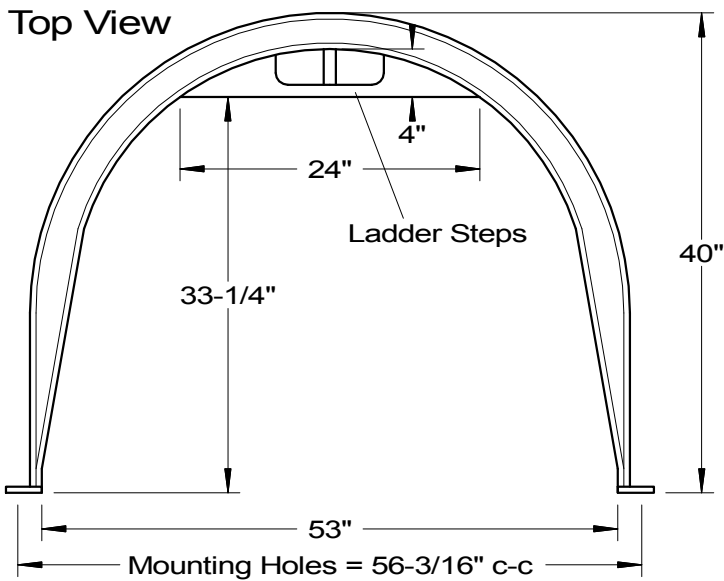
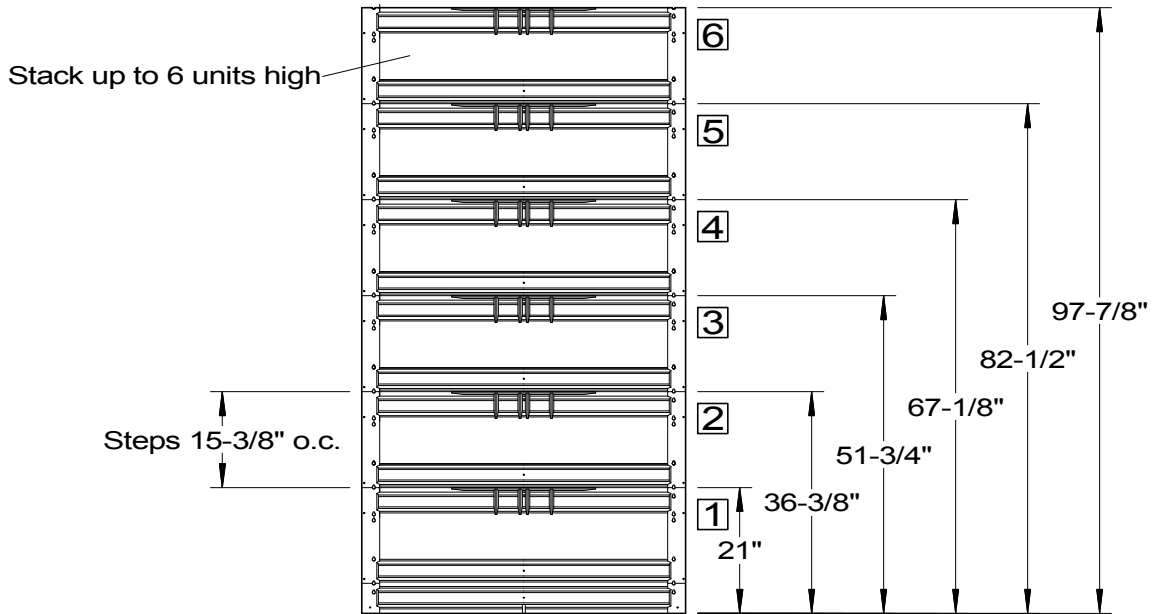


Inside Elevation



SPECIFICATIONS	
Material: High density polyethylene Color: light grey Warranty: 5 years from Bilco Egress: Meets requirements for emergency egress from your basement Interior Area = 9.2 square feet	BILCO stakWEL WINDOW WELL
	Woodard's Concrete Products, Inc. 629 Lybolt Road, Bullville, NY 10915 (845) 361-3471 / Fax 361-1050
Page 6E 11/26/13	