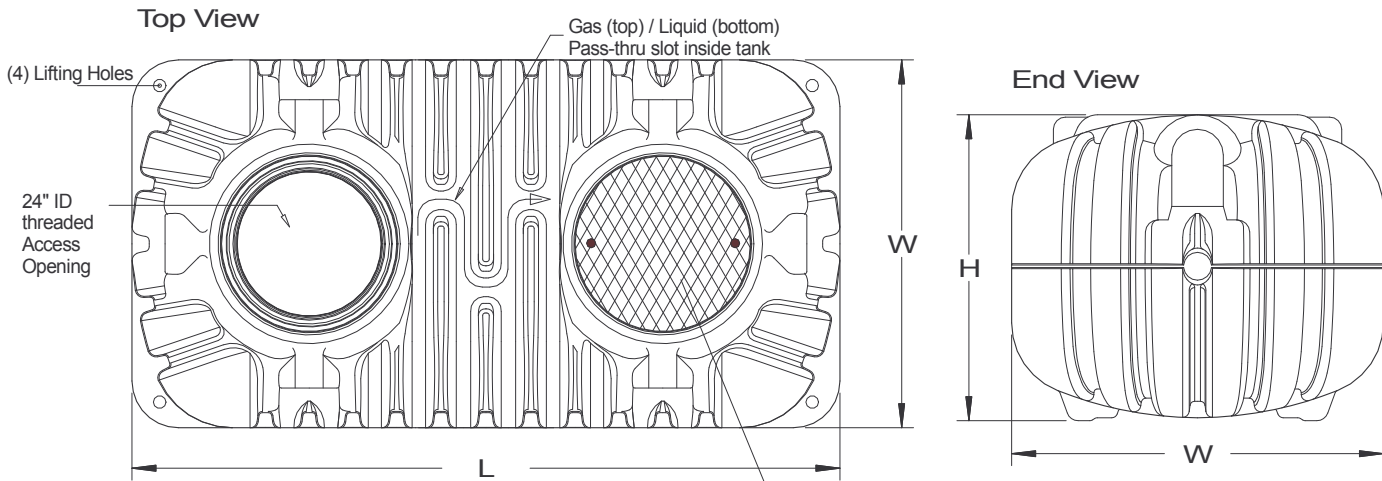
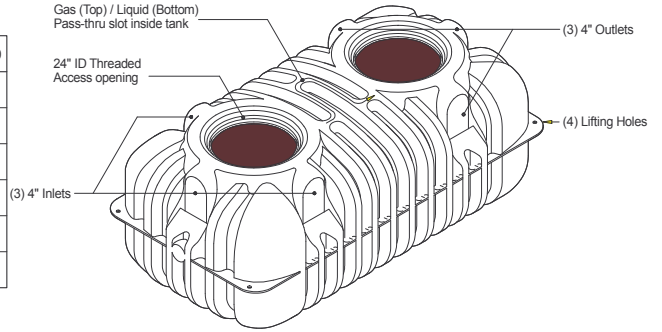


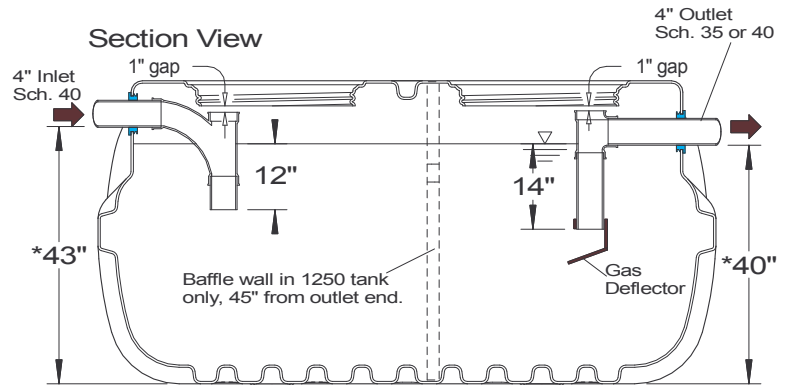
Model	HST-300	HST-500	HST-750	HST-1000	HST-1250	HST-1500
Gallons	300	500	750	1000	1250	1500
Width (W)	48"	62"	62"	62"	62"	62"
Length (L)	48"	60"	103"	118"	144"	177"
Height (H)	53"	51"	51"	51"	51"	51"
Weight (lbs)	200	225	360	450	560	640
24" Access	1	1	2	2	2	2



24" Covers w/gaskets included, 6" & 12" risers available

Excavation:

- Excavate hole 4' wider and longer than tank and 6" deeper than bottom of tank.
- Level 6" of pea stone or sand in the bottom.
- Drill 5" holes at "A" locations on inlet & outlet and install gaskets.
- Install tank in hole using lift holes on tank.
- Install pipes and any risers needed.
- Backfill in 6" lifts around tank using native material free of debris, sharp stones and stones larger than 2". Compact each layer.
- Backfill between risers first, then around the endwalls.
- High groundwater may require you to fill the tank to prevent flotation.
- Tanks are not designed for vehicle traffic. Avoid vehicles heavier than 2,500 lbs over the tank. Maximum burial depth is 36".



*Pipe holes can be located up to 4" lower than this if necessary but a smaller tank capacity will result.

SPECIFICATIONS	
<p>Material: HDPE plastic, suitable for septic or potable water, black color Pipe Connection: 4" rubber gasket Weight = up to 560 lbs Load Rating: 300 psf Backfill: 36" maximum above tank</p>	<p>PLASTIC FRALO SEPTIC TANKS 300 to 1,500 GALLONS</p> <p>Woodard's Concrete Products, Inc. 629 Lybolt Road, Bullville, NY 10915 (845) 361-3471 / Fax 361-1050</p>