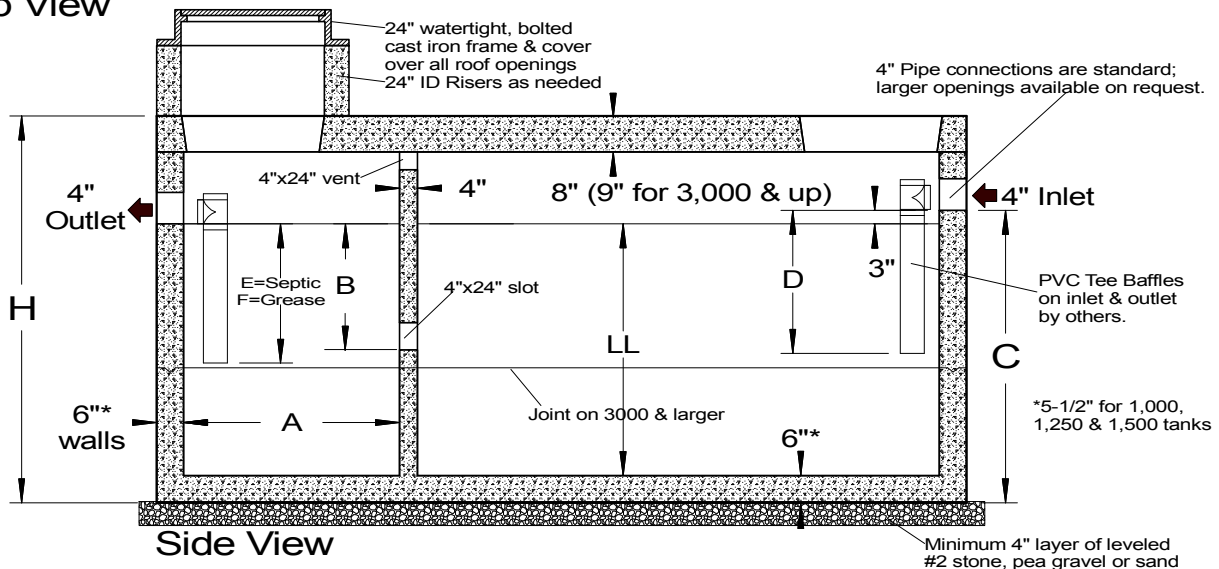


Top View

Gallons	L	W	H	LL	A	B	C	D	E	F
750	9'-6"	4'-6"	5'-11"	42"	34"	23"	51"	24"	21"	30"
1,000	10'-9"	5'-11"	4'-9"	35"	38"	16"	43"	21"	18"	23"
1,250	10'-9"	5'-11"	5'-3"	41.5"	38"	19"	49.5"	24"	21"	29"
1,500	10'-9"	5'-11"	5'-11"	49"	38"	22"	57"	27"	24"	37"
2,000	12'-6"	6'	7'-3"	58"	46"	31"	67"	32"	29"	46"
2,500	14'	6'-6"	7'-3"	58"	46"	31"	67"	32"	29"	46"
3,000	15'-6"	7'	7'-3"	58"	52"	31"	67"	32"	29"	46"
3,500	15'-6"	8'	7'-3"	58"	52"	31"	67"	32"	29"	46"
4,000	17'-2"	8'	7'-3"	58"	58"	31"	67"	32"	29"	46"
5,000	18'-8"	9'	7'-3"	58"	70"	31"	67"	32"	29"	46"
6,000	20'-4"	9'-6"	7'-3"	60"	70"	33"	69"	32"	30"	48"

Notes:

1. Effluent outlet filters are available as well as high level alarms.
2. Gas deflectors are available for 4" outlet pipes.
3. Tank designs based on the 2014 NYSDEC design standards.
4. Grease Traps are Type 2 with longer outlet baffles than Septic Tanks.
5. 1,000, 1,250, and 1,500 tanks are two-piece design with center seam.



Side View

SPECIFICATIONS

Concrete Min. Strength: 4,000 psi at 28 days
 Reinforcement: #4 & #5 Rebar / ASTM A615
 Air Entrainment: 6%
 Construction Joint: Butyl Rubber Sealant
 Pipe Connection: Polylok Seal or as needed
 Load Rating: HS20-44 + 30% / ASTM C857

**PRECAST TRAFFIC DUTY TANKS
 750 TO 6,000 GALLONS
 SEPTIC TANKS & GREASE TRAPS**

Woodard's Concrete Products, Inc.
 629 Lybolt Road, Bullville, NY 10915
 (845) 361-3471 / Fax 361-1050