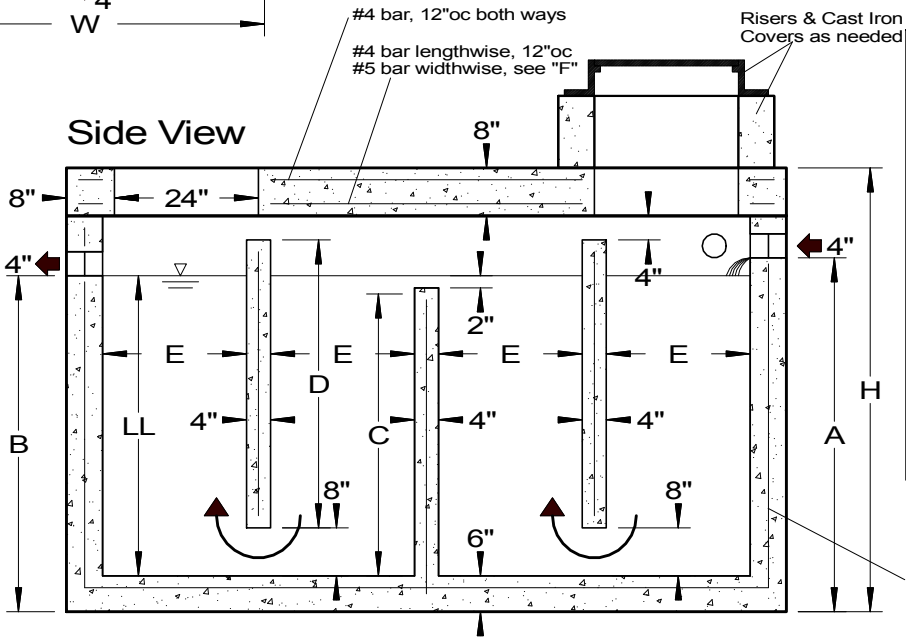


| Model    | CC-500    | CC-1000   | CC-1500   | CC-2000    |
|----------|-----------|-----------|-----------|------------|
| Gallons  | 500       | 1,000     | 1,500     | 2,000      |
| L        | 10'       | 10'       | 11'       | 11'        |
| W        | 4'        | 5'        | 6'        | 7'         |
| H        | 62"       | 74"       | 80"       | 86"        |
| LL       | 34"       | 50"       | 54"       | 60"        |
| A        | 43"       | 59"       | 63"       | 69"        |
| B        | 40"       | 56"       | 60"       | 66"        |
| C        | 32"       | 48"       | 52"       | 58"        |
| D        | 36"       | 48"       | 54"       | 60"        |
| E        | 24"       | 24"       | 27"       | 27"        |
| F        | 8"        | 6"        | 5"        | 4"         |
| Tank wt  | 11,700 lb | 16,000 lb | 20,700 lb | *20,500 lb |
| Roof wt  | 3,500 lb  | 4,300 lb  | 5,900 lb  | 7,000 lb   |
| Total wt | 15,200 lb | 20,300 lb | 26,600 lb | 27,500 lb  |

\*Use light weight concrete in floor & walls.

- (4) 4 ton floor anchors
- (4) Black lift cables in roof
- 1-1/2" x 4-1/2" notch in walls for baffles starts 8" off floor, cement baffles in to secure



Norweco Tablet Feeders  
Chlorination at Inlet end  
De-Chlorination at Outlet end  
Can be mounted inside or outside of tank. For interior mounting, tank will be custom sized to fit them.

See [www.norweco.com](http://www.norweco.com) for feeder sizing details.

| SPECIFICATIONS   |  | CHLORINE CONTACT TANKS<br>Traffic Bearing Design  |  |
|--|--|---|--|
| Concrete Min. Strength: 4,000 psi at 28 days<br>Reinforcement: #4 & 5 bar / ASTM A615<br>Air Entrainment: 6%<br>Construction Joint: Butyl Rubber Sealant<br>Pipe Connection: Polylok Seal (patented)<br>Load Rating: HS20-44 / ASTM C857 |  | <b>Woodard's Concrete Products, Inc.</b><br>629 Lybolt Road, Bullville, NY 10915<br>(845) 361-3471 / Fax 361-1050 |  |
|  |  | Page 6A    5/18/12  |  |