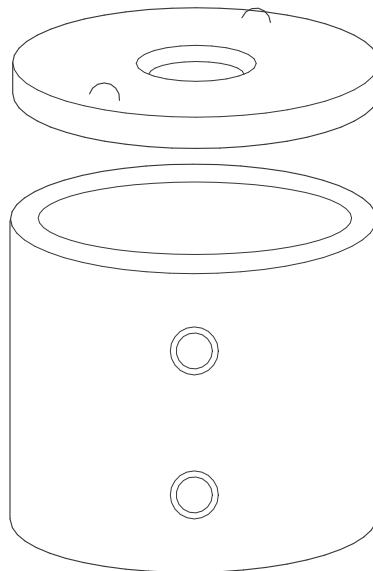


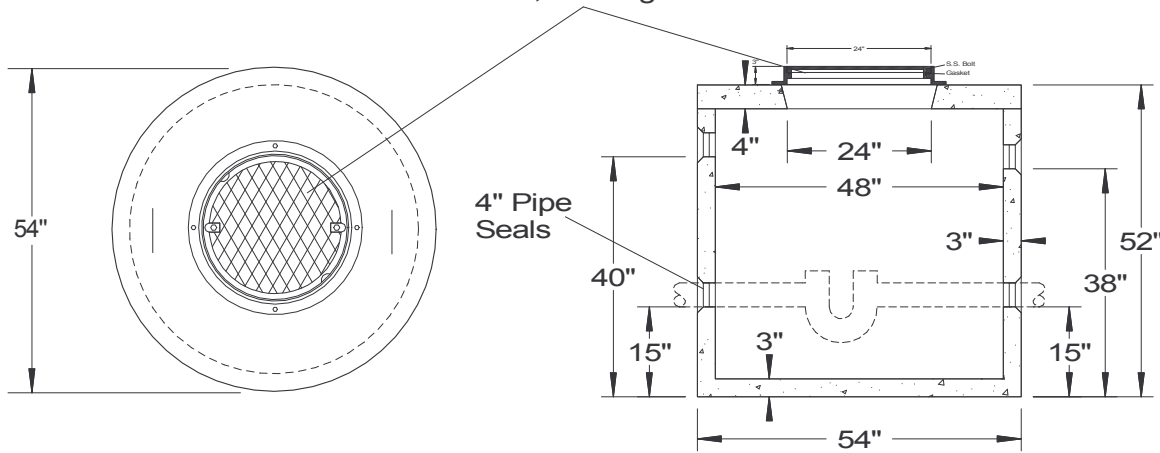
This is a non-stock item, please allow 1 week for delivery.



2' & 4' Risers available for the chamber.

6", 12" & 24" Risers available for the casting.

Cast Iron frame & 24" bolted, watertight lid



Top View

Side View

SPECIFICATIONS	
<p>Concrete Min. Strength: 4,000 psi at 28 days Reinforcement: 6x6x10ga WWM Air Entrainment: 5% Construction Joint: Butyl Rubber Sealant Pipe Connection: Polylok Seal (patented) Weight = 3,000 lbs Load Rating: 300 psf</p>	<p>PRECAST HOUSE TRAP 4' ID x 4' High</p> <p>Woodard's Concrete Products, Inc. 629 Lybolt Road, Bullville, NY 10915 (845) 361-3471 / Fax 361-1050</p> <p>1/21/08</p>