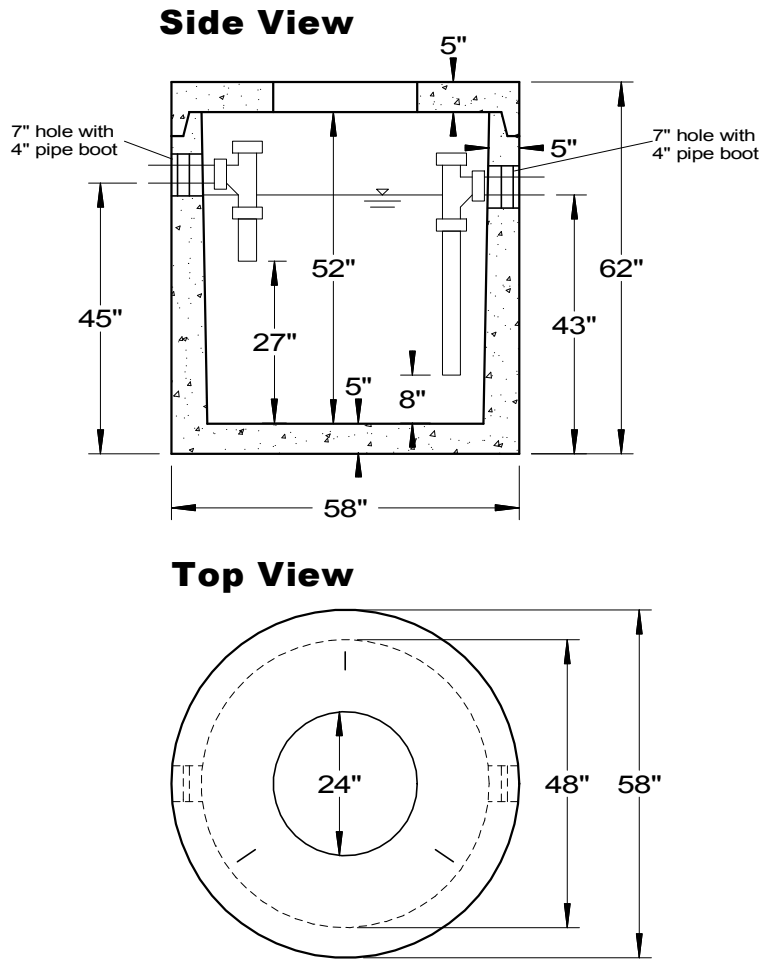


Oil Trap Tanks for buildings up to 3,000 sf in non-traffic location



Light Duty cast iron covers are available.

SPECIFICATIONS	
<p>Concrete Min. Strength: 4,000 psi at 28 days Reinforcement: 6x6x10ga WWM, #4 rebar Air Entrainment: 6% Construction Joint: Butyl Rubber Sealant Pipe Connection: Kor-n-seal boot Weights = 5,400 lbs Load Rating: 300 psf</p>	<p>PRECAST OIL/WATER SEPARATOR PC-4X4 300 Gallons</p> <p>Woodard's Concrete Products, Inc. 629 Lybolt Road, Bullville, NY 10915 (845) 361-3471 / Fax 361-1050</p>
<p>Page 9C 7/30/2018</p>	