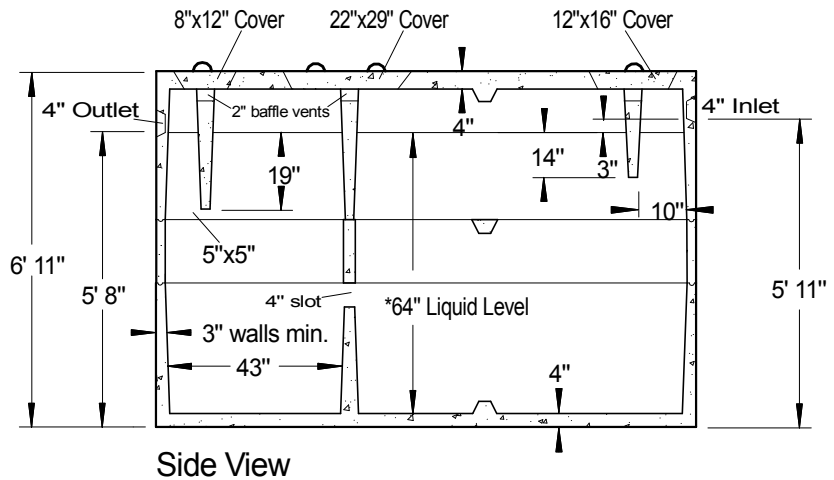


Inlet note: Use a sanitary tee with pipe extension to meet the NYSDOH requirement for baffle 16" below liquid level.



*Tank Capacity Note: NYS 60" maximum liquid level gives you 2,530 gallons in this tank. Additional depth does not add to the recognized capacity.

SPECIFICATIONS	
<p>Concrete Min. Strength: 4,000 psi at 28 days Reinforcement: #3 Rebar, 6x6x10ga. WWM Air Entrainment: 5% Construction Joint: Butyl Rubber Sealant Pipe Connection: Polylok Seal (patented) Weight = 17,000 lbs Load Rating: 300 psf</p>	<p>PRECAST SEPTIC TANKS MODEL ST-2500 / 2500 GALLONS</p> <p>Woodard's Concrete Products, Inc. 629 Lybolt Road, Bullville, NY 10915 (845) 361-3471 / Fax 361-1050</p> <p>Page 6A 8/12/14</p>