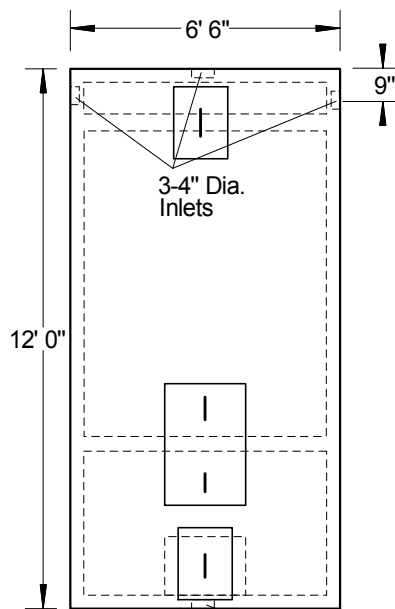
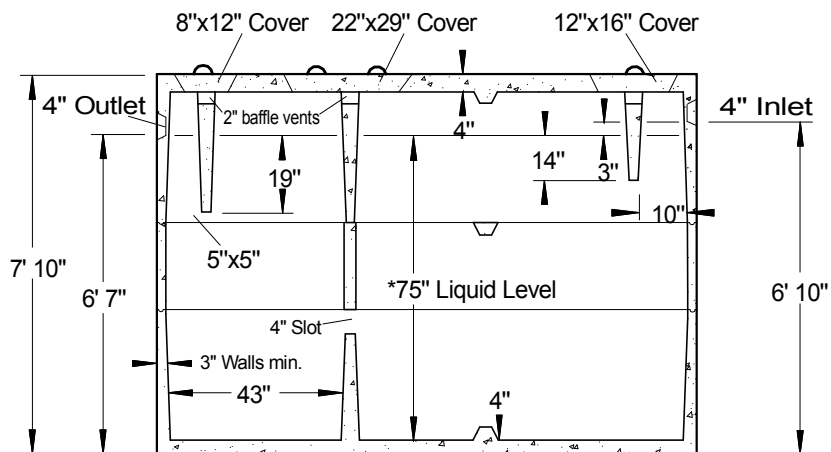


Inlet note: Use a sanitary tee with pipe extension to meet the NYSDOH requirement for baffle 16" below liquid level.



Top View



Side View

*Tank Capacity Note: NYS 60" maximum liquid level gives you 2,530 gallons in this tank. Additional depth does not add to the recognized capacity.

SPECIFICATIONS

Concrete Min. Strength: 4,000 psi at 28 days
 Reinforcement: #3 Rebar, 6x6x10ga. WWM
 Air Entrainment: 5%
 Construction Joint: Butyl Rubber Sealant
 Pipe Connection: Polylok Seal (patented)
 Weight = 18,000 lbs
 Load Rating: 300 psf

PRECAST SEPTIC TANKS MODEL ST-3000 / 3000 GALLONS

Woodard's Concrete Products, Inc.
 629 Lybolt Road, Bullville, NY 10915
 (845) 361-3471 / Fax 361-1050