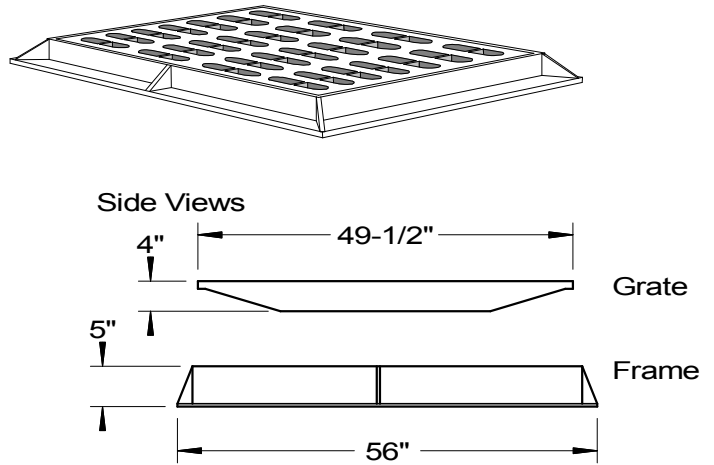
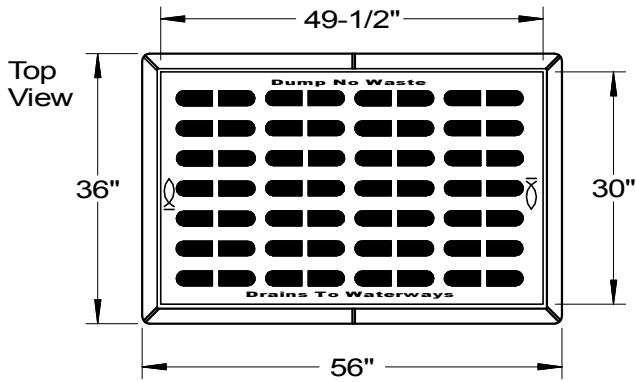
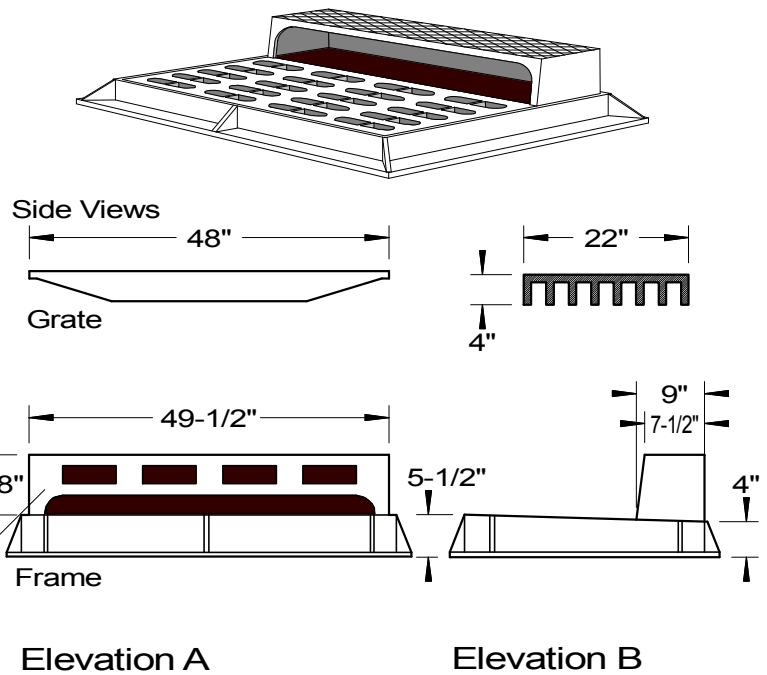
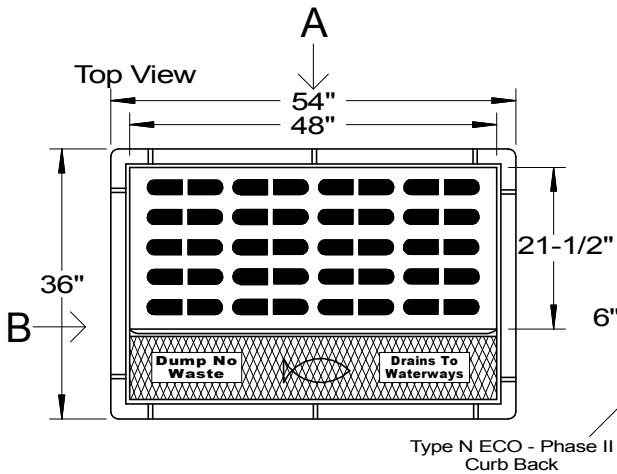


Model GRATE-30X48
 Frame & Flat Grate
 (Bicycle Type, Campbell #3408 equal)



Model GRATE-CI
 Curb Inlet Frame & Grate
 (Bicycle Type, Campbell #2617 equal)



SPECIFICATIONS	
Material: ASTM A48 Class 30B Load Rating: Heavy Duty, H20 Weight = 500 lbs Drainage Area = 630 sq. in. for flat grate 800 sq. in. for curb inlet	CAST IRON FRAMES & GRATES GRATE-30x48 / GRATE-CI Woodard's Concrete Products, Inc. 629 Lybolt Road, Bullville, NY 10915 (845) 361-3471 / Fax 361-1050 4/14/14