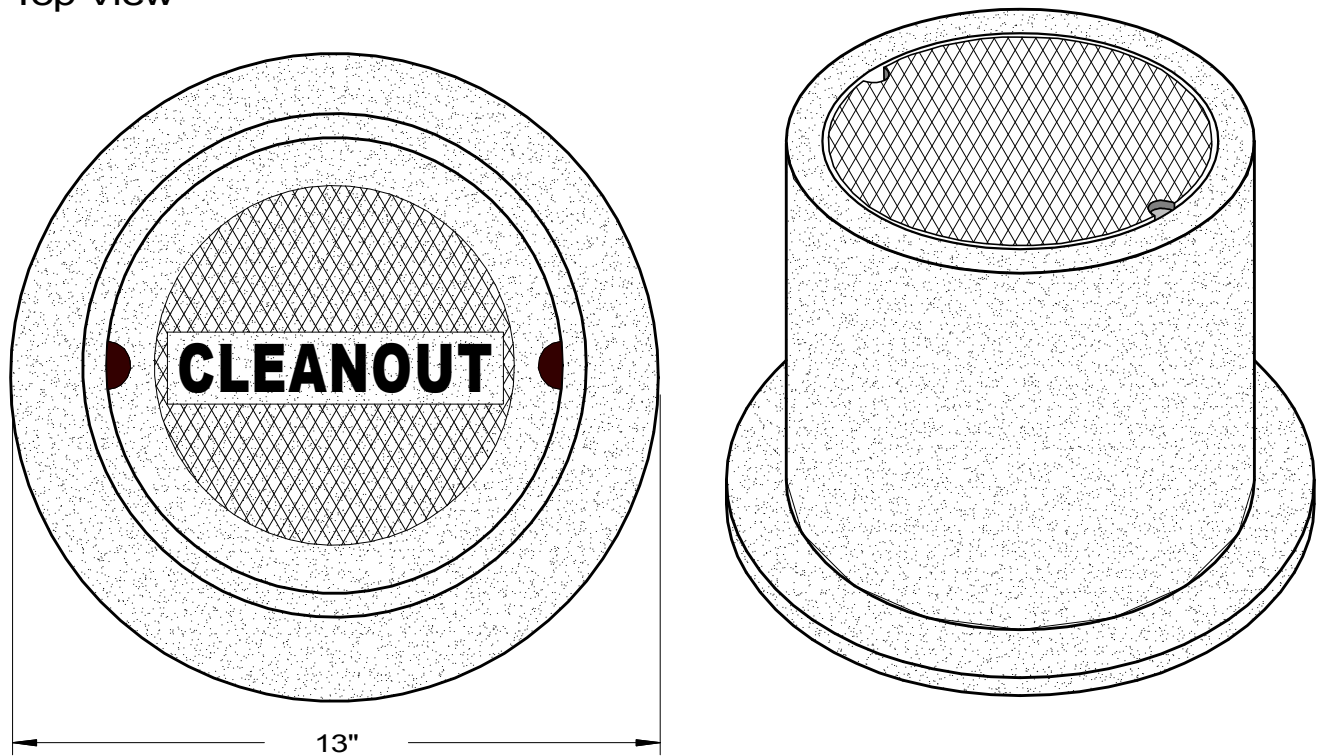
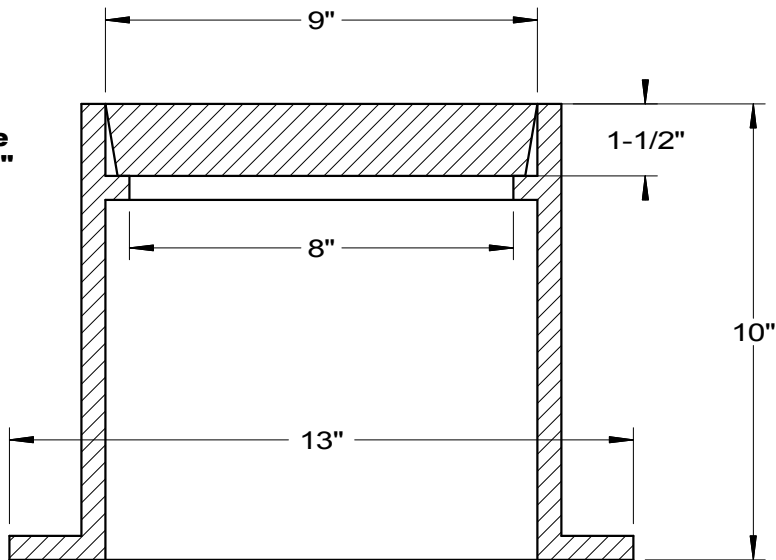


Top View



**Cover available
with "Cleanout"
or "Sewer"**



Section View

SPECIFICATIONS	
Material: Cast Iron / ASTM A48 Class 30B or 35B Frame: Non-Reversible Load Rating: Heavy Duty, H20 Weight = 40 lbs	CAST IRON CLEANOUT COVER Manhole-9 Cleanout
	Woodard's Concrete Products, Inc. 629 Lybolt Road, Bullville, NY 10915 (845) 361-3471 / Fax 361-1050
	6/11/14