

"Flout" Siphons

Made in the USA by:



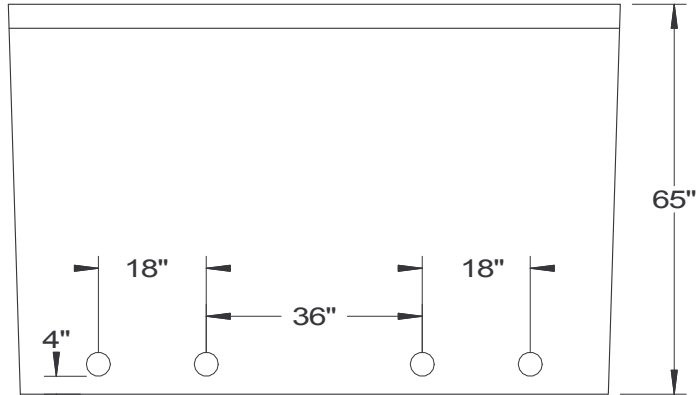
Tank Size	L	W	Dose
1,000 gal	8'-6"	4'-10"	21 gal/inch draw
1,250 gal	10'-0"	5'-0"	26.5 gal/inch draw
Other sizes custom made as needed.			

4 Flout sequencer is shown with 8 CueBox sections. For each Flout added or subtracted, change the number of sections by two. There is no limit to the number that can be used.

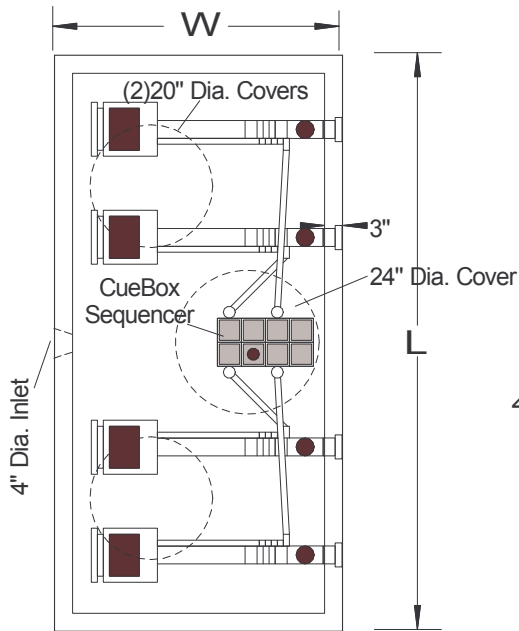
Standard Flouts have a 3" outlet giving you a 72 gpm average discharge rate. 4" available.

Consult Rissy Plastics for all CueBox designs to ensure required draw fits tank. 860-482-1645

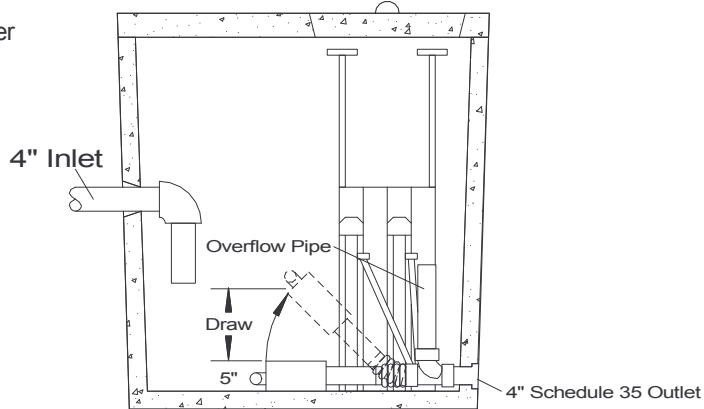
Tanks are not stock and are custom made to order. Please allow two weeks for delivery.



Outlet Side View



Top View



Section View

SPECIFICATIONS	
Concrete Min. Strength: 4,000 psi at 28 days	PRECAST SIPHON CHAMBER CueBox Flout Sequencing
Reinforcement: #3 Rebar, 10ga. Wire Mesh	
Air Entrainment: 6%	Woodard's Concrete Products, Inc. 629 Lybolt Road, Bullville, NY 10915 (845) 361-3471 / Fax 361-1050
Construction Joint: Butyl Rubber Sealant	
Pipe Connection: Polylok Seal / SDR 35 Coupler	
Weights: 8,700 lbs / 9,500 lbs	
Load Rating: 300 psf	
Page 4C 11/29/12	